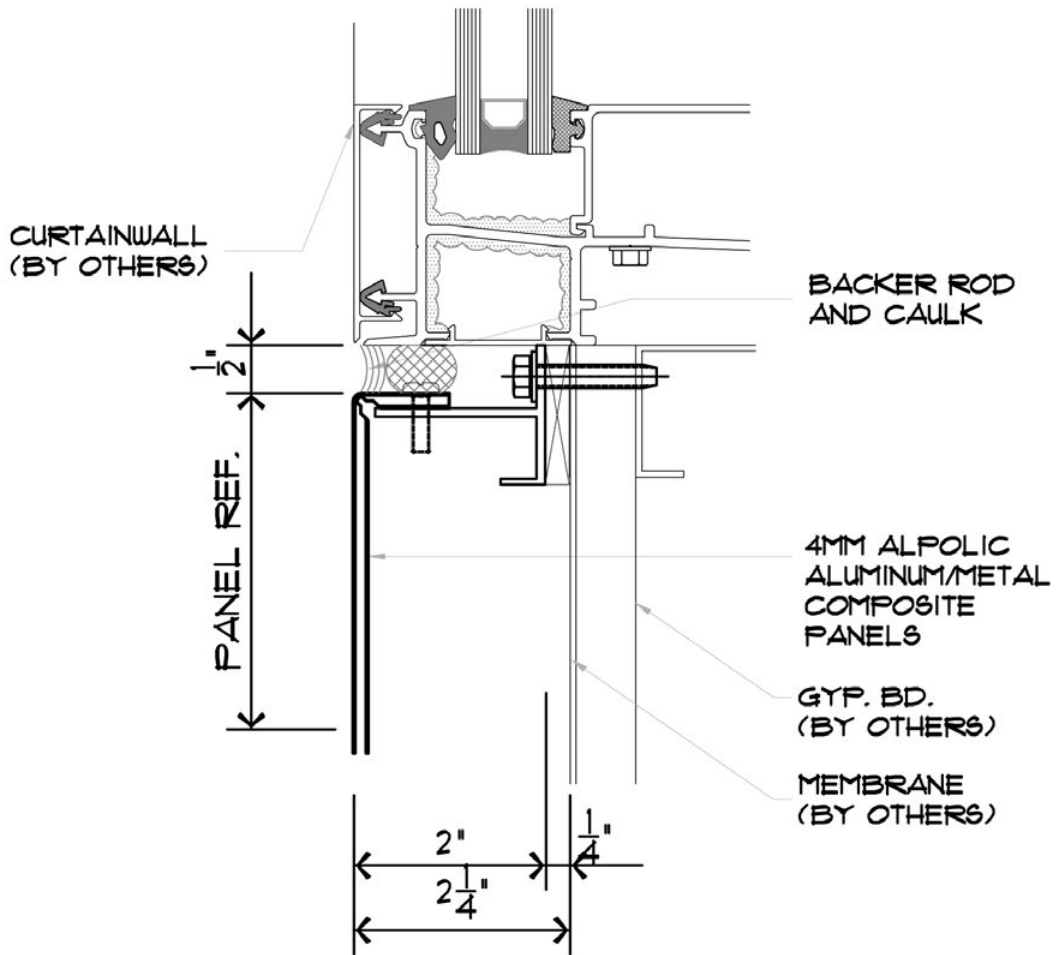


ALPOLIC®

WET SEAL SYSTEM
10.01.05
www.alpolic-americas.com

The design, fabrication and installation of the ALPOLIC® panels are the sole responsibility of the purchaser. The information contained on this website is for conceptual use only. Mitsubishi Chemical America, Inc. shall have no responsibility or liability for the products usage or infringement of any patent or other proprietary right.



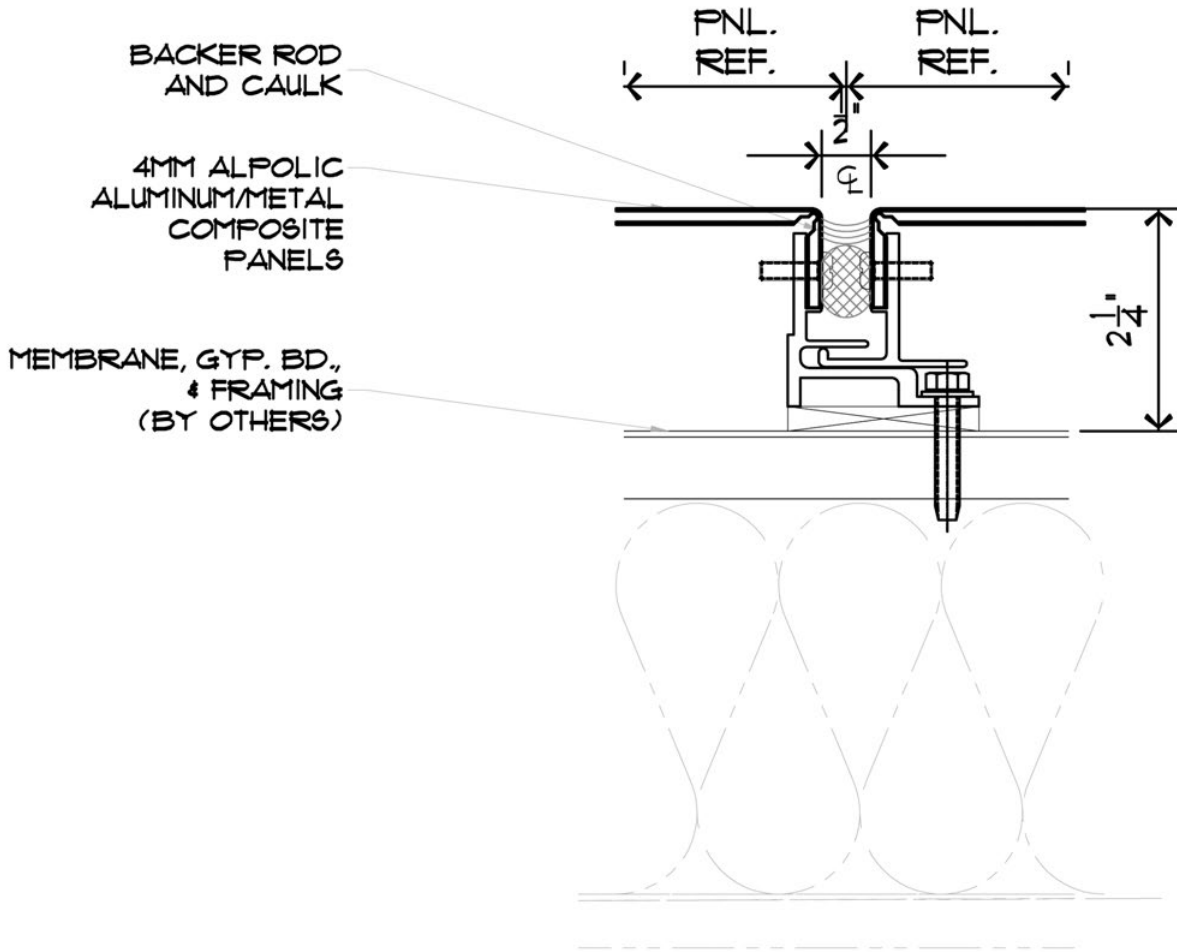
SILL DETAIL

SCALE: 6" = 1'-0"

ALPOLIC®

WET SEAL SYSTEM
 10.01.05
www.alpolic-americas.com

The design, fabrication and installation of the ALPOLIC® panels are the sole responsibility of the purchaser. The information contained on this website is for conceptual use only. Mitsubishi Chemical America, Inc. shall have no responsibility or liability for the products usage or infringement of any patent or other proprietary right.

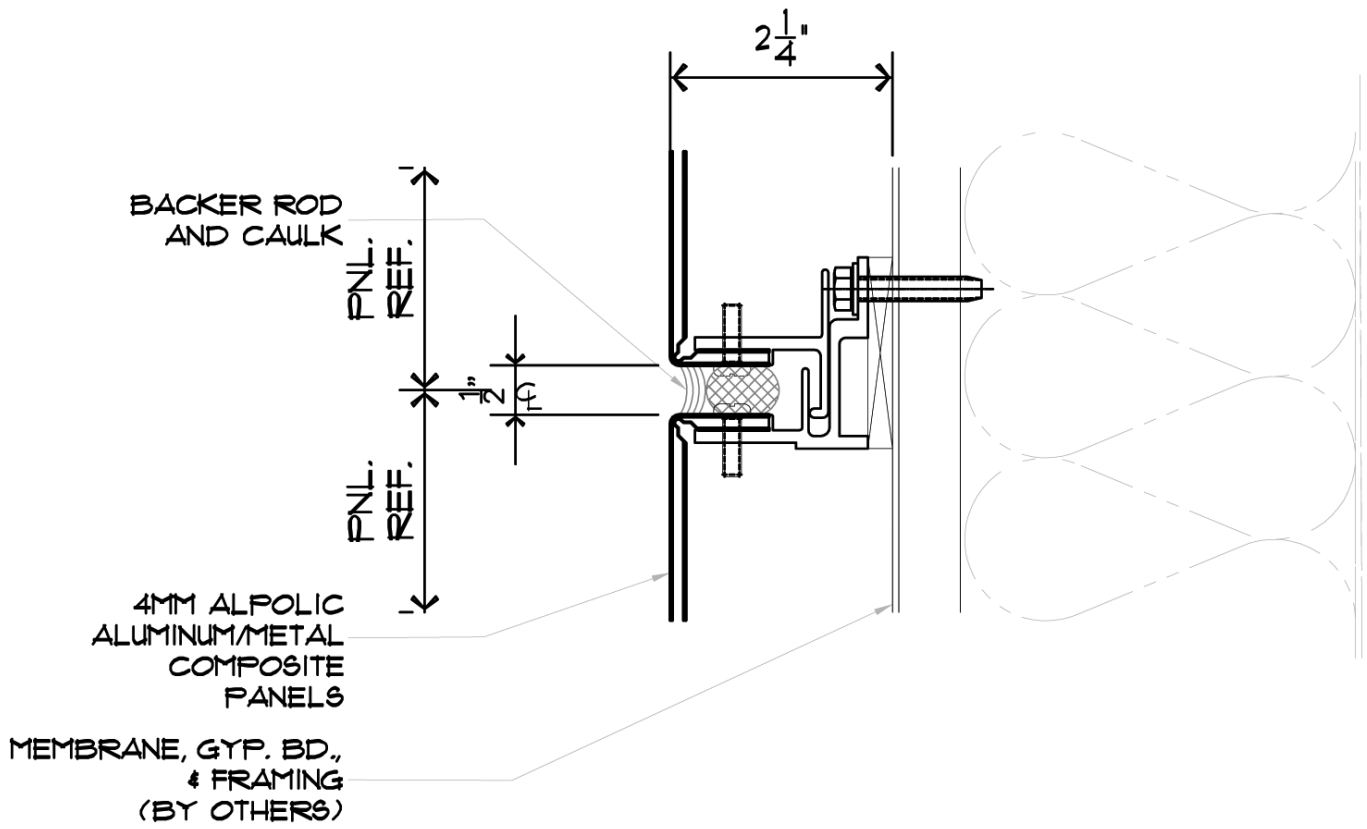


2 VERTICAL JOINT
 WS SCALE: 6" = 1'-0"

ALPOLIC®

WET SEAL SYSTEM
 10.01.05
www.alpolic-americas.com

The design, fabrication and installation of the ALPOLIC® panels are the sole responsibility of the purchaser. The information contained on this website is for conceptual use only. Mitsubishi Chemical America, Inc. shall have no responsibility or liability for the products usage or infringement of any patent or other proprietary right.

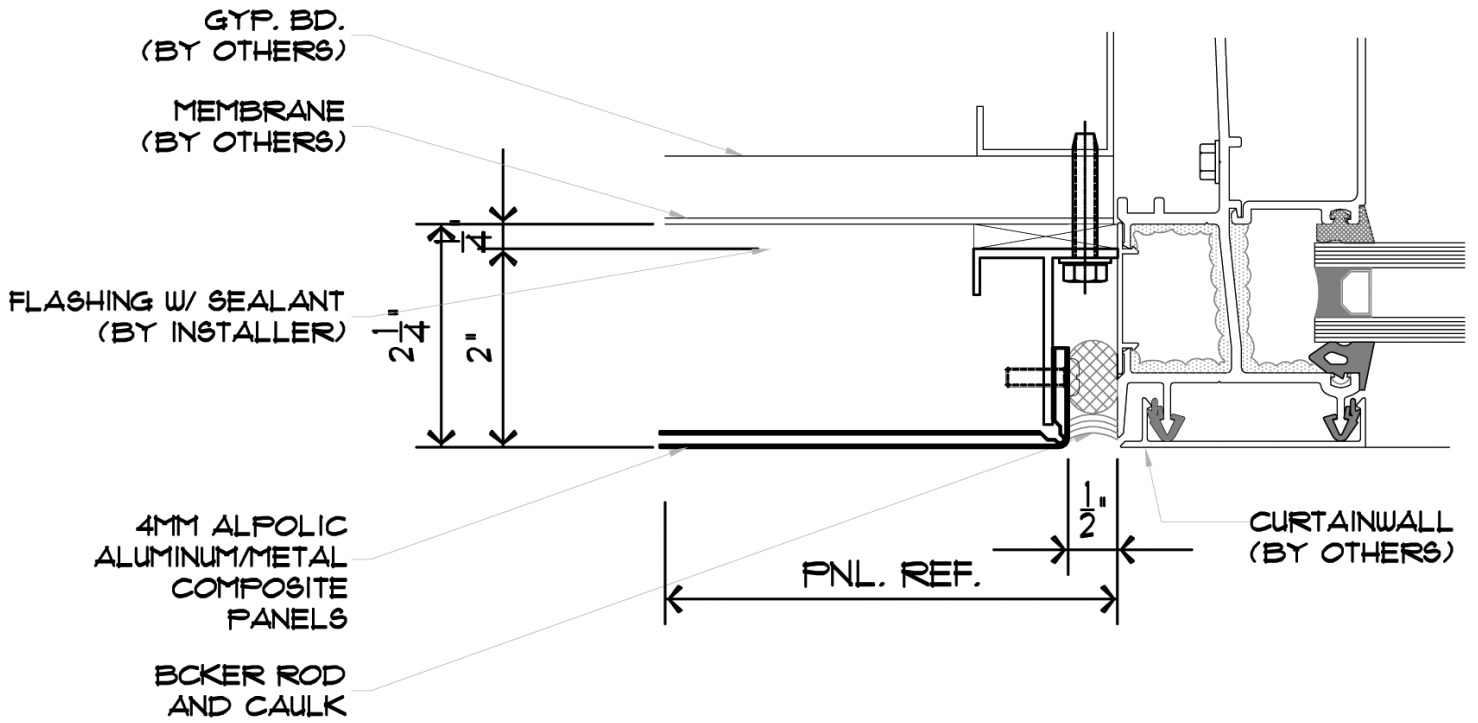


3 HORIZONTAL JOINT
 WS SCALE: 6" = 1'-0"

ALPOLIC®

WET SEAL SYSTEM
 10.01.05
www.alpolic-americas.com

The design, fabrication and installation of the ALPOLIC® panels are the sole responsibility of the purchaser. The information contained on this website is for conceptual use only. Mitsubishi Chemical America, Inc. shall have no responsibility or liability for the products usage or infringement of any patent or other proprietary right.

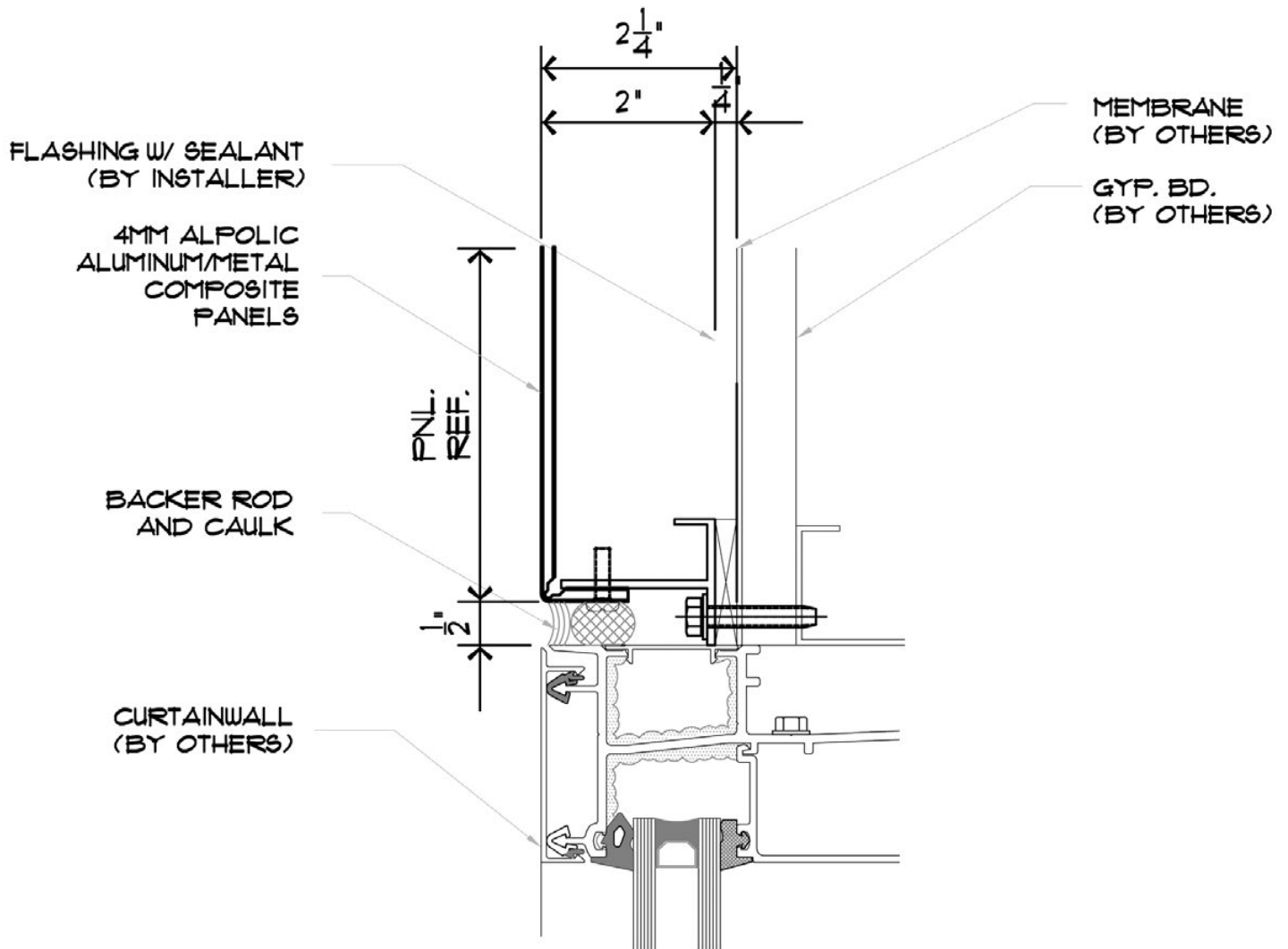


4 JAMB DETAIL
 WS SCALE: 6" = 1'-0"

ALPOLIC®

WET SEAL SYSTEM
 10.01.05
www.alpolic-americas.com

The design, fabrication and installation of the ALPOLIC® panels are the sole responsibility of the purchaser. The information contained on this website is for conceptual use only. Mitsubishi Chemical America, Inc. shall have no responsibility or liability for the products usage or infringement of any patent or other proprietary right.

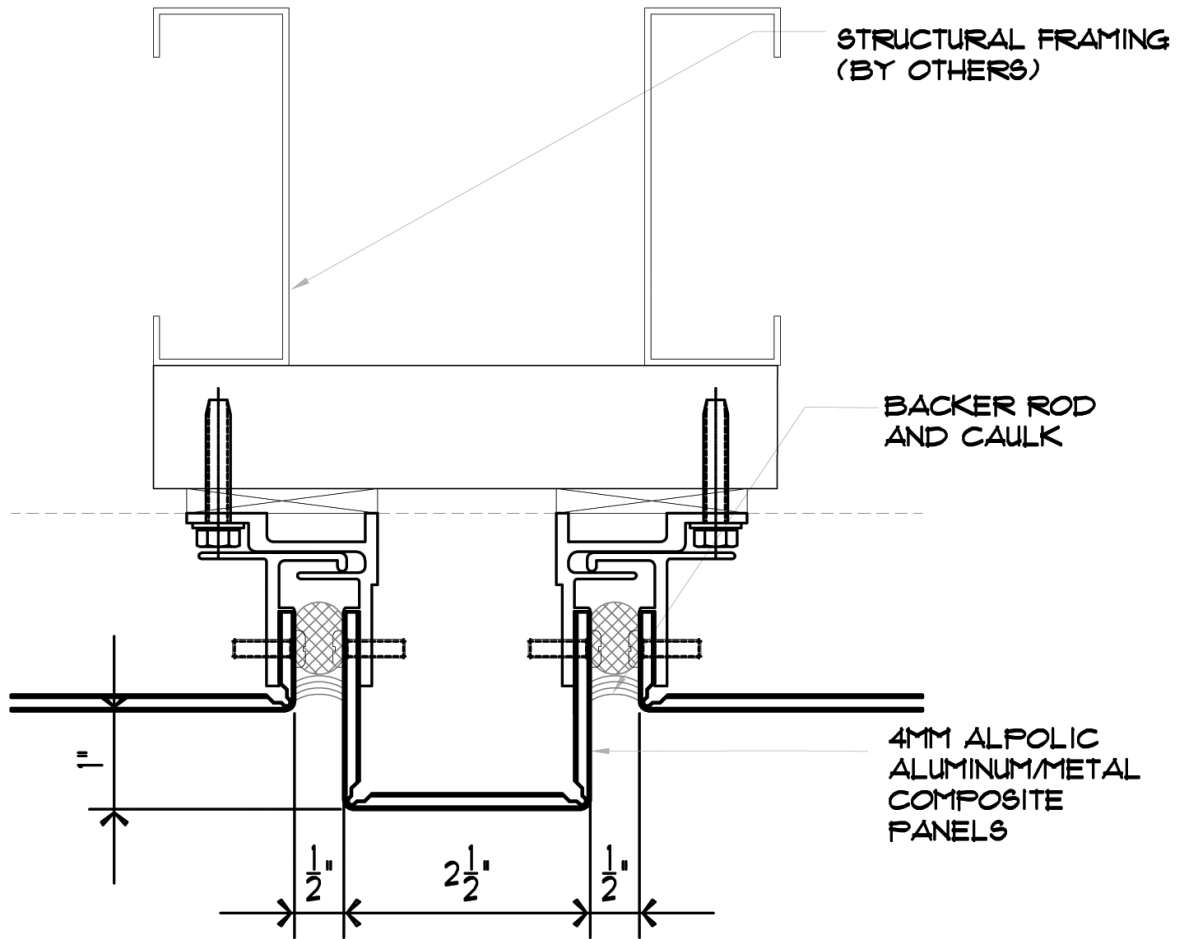


5 HEAD DETAIL
 WS SCALE: 6" = 1'-0"

ALPOLIC®

WET SEAL SYSTEM
 10.01.05
 www.alpolic-americas.com

The design, fabrication and installation of the ALPOLIC® panels are the sole responsibility of the purchaser. The information contained on this website is for conceptual use only. Mitsubishi Chemical America, Inc. shall have no responsibility or liability for the products usage or infringement of any patent or other proprietary right.



6
WS

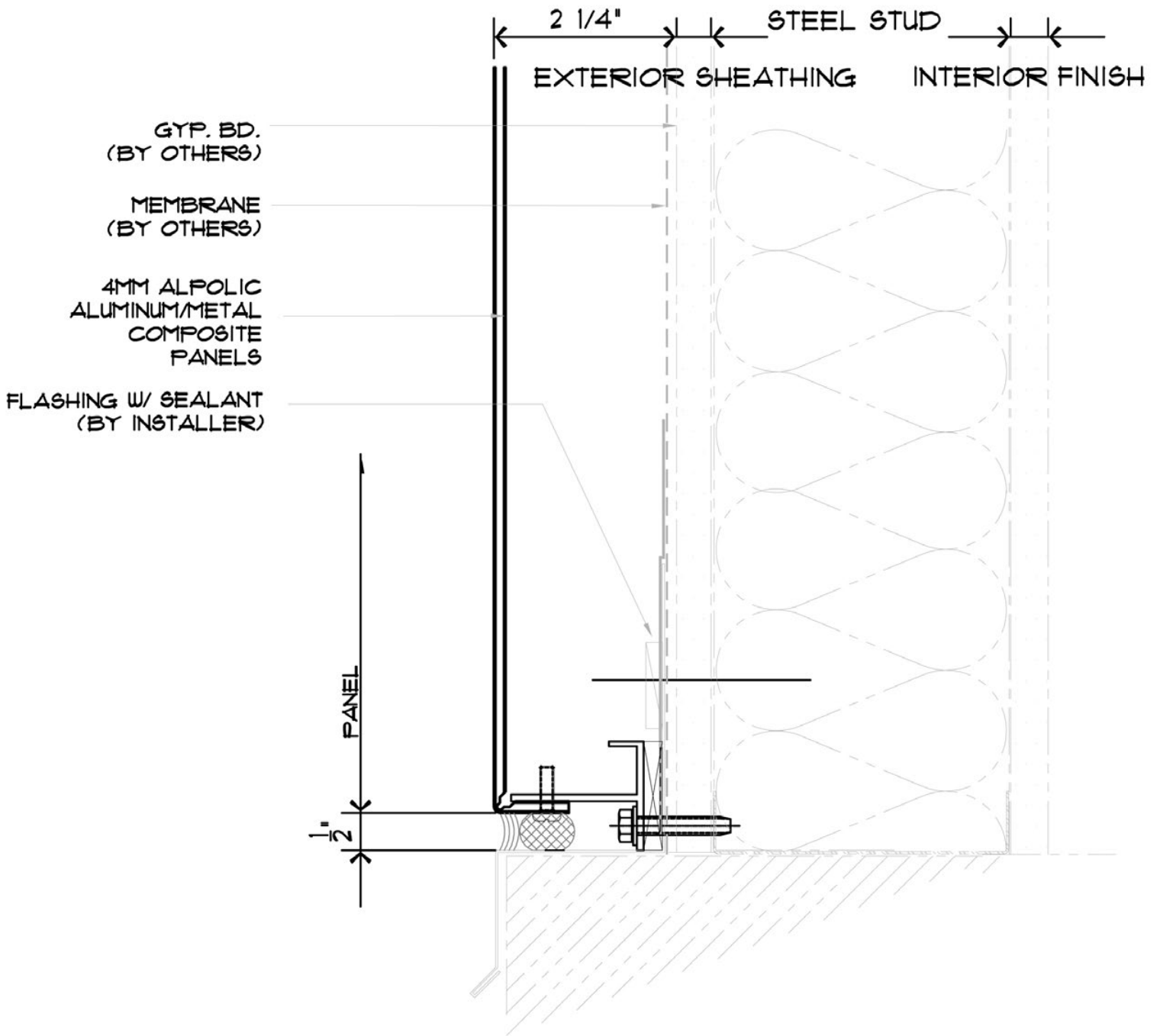
BATTEN DETAIL

SCALE: 6" = 1'-0"

ALPOLIC®

WET SEAL SYSTEM
10.01.05
www.alpolic-americas.com

The design, fabrication and installation of the ALPOLIC® panels are the sole responsibility of the purchaser. The information contained on this website is for conceptual use only. Mitsubishi Chemical America, Inc. shall have no responsibility or liability for the products usage or infringement of any patent or other proprietary right.



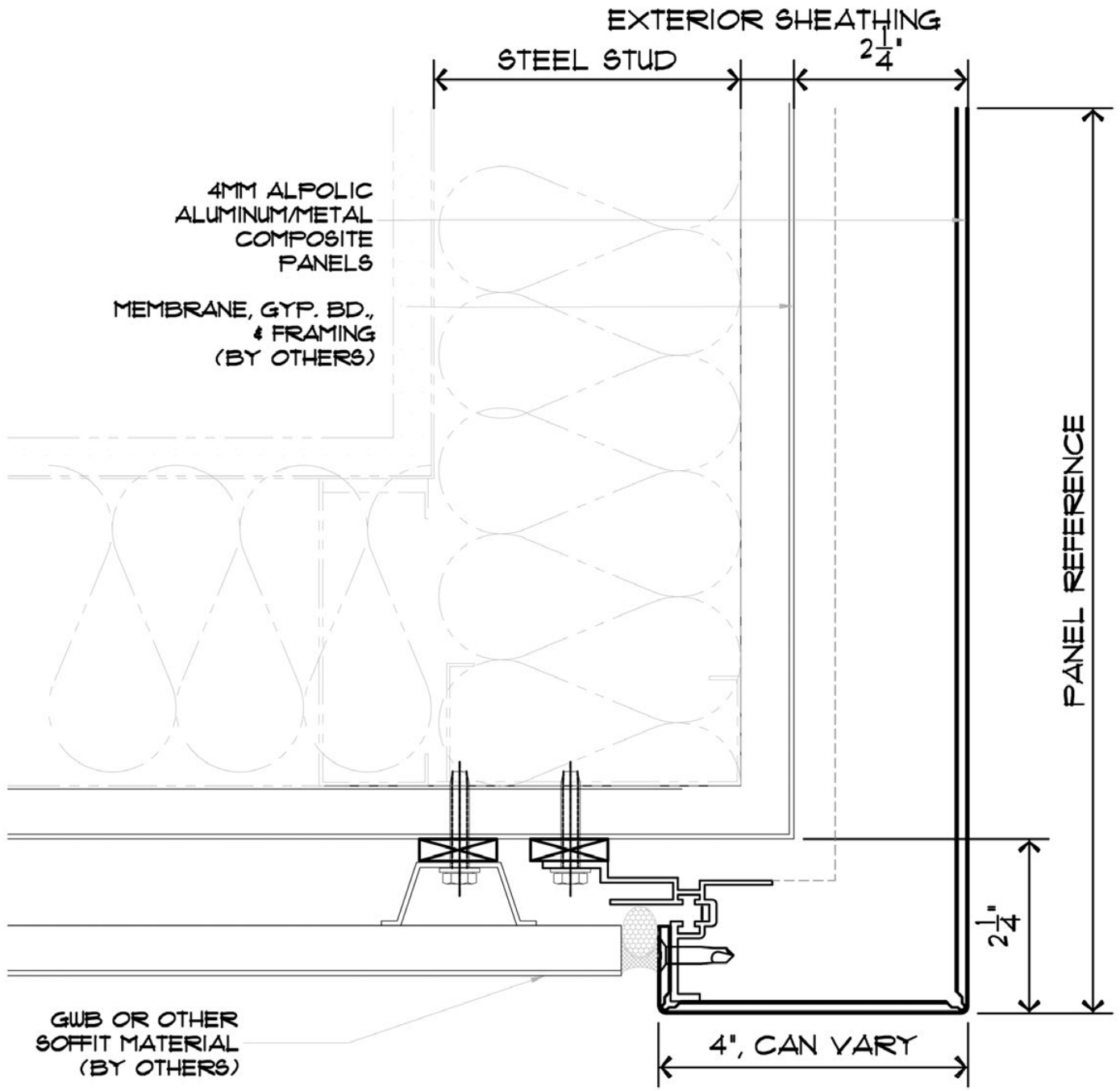
7 BASE CONDITION

WS SCALE: 6" = 1'-0"

ALPOLIC®

WET SEAL SYSTEM
10.01.05
www.alpolic-americas.com

The design, fabrication and installation of the ALPOLIC® panels are the sole responsibility of the purchaser. The information contained on this website is for conceptual use only. Mitsubishi Chemical America, Inc. shall have no responsibility or liability for the products usage or infringement of any patent or other proprietary right.

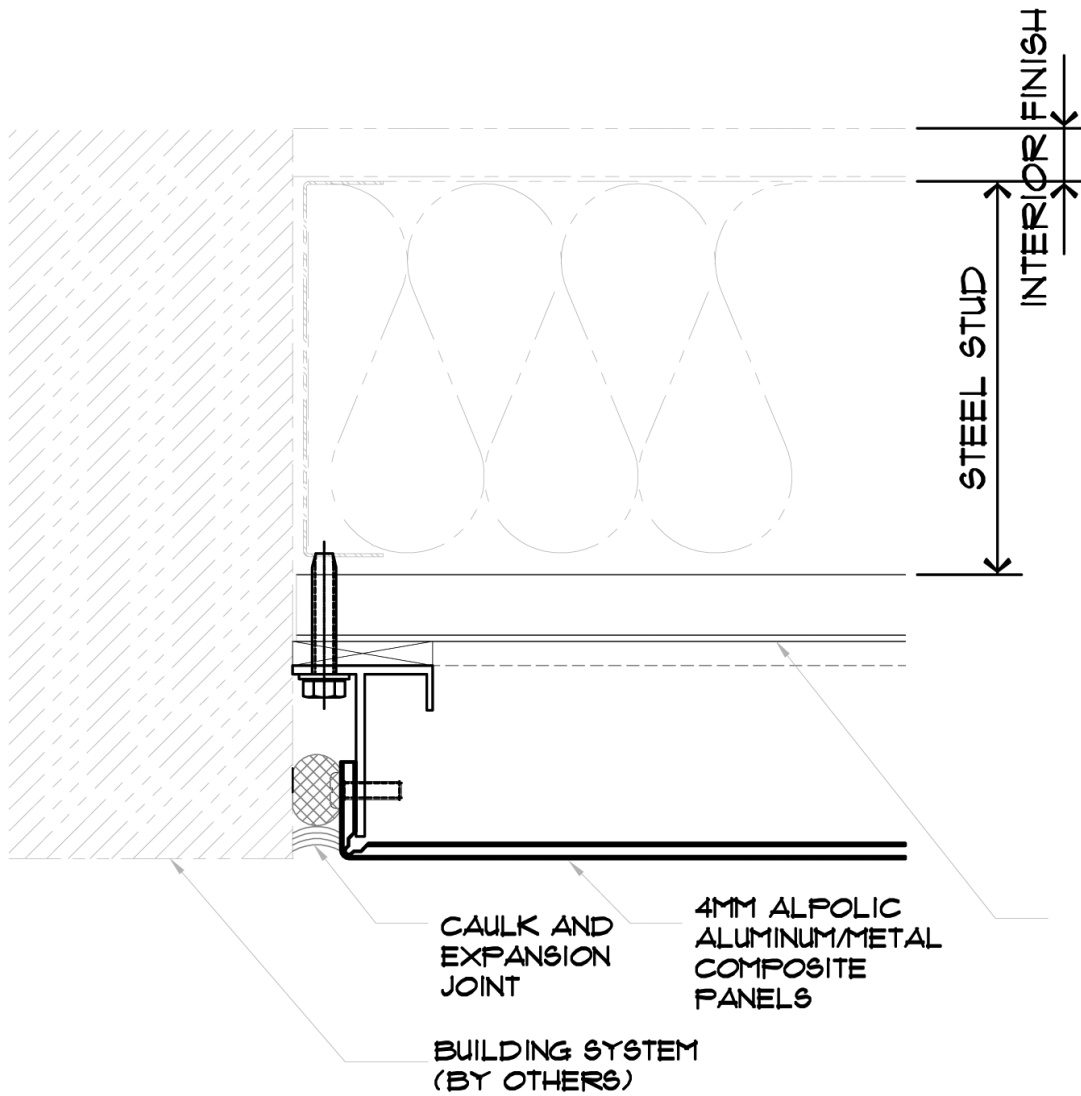


8 TYP SOFFIT DETAIL
 WS SCALE: 6" = 1'-0"

ALPOLIC®

WET SEAL SYSTEM
 10.01.05
www.alpolic-america.com

The design, fabrication and installation of the ALPOLIC® panels are the sole responsibility of the purchaser. The information contained on this website is for conceptual use only. Mitsubishi Chemical America, Inc. shall have no responsibility or liability for the products usage or infringement of any patent or other proprietary right.



9
WS

ABUTMENT DETAIL

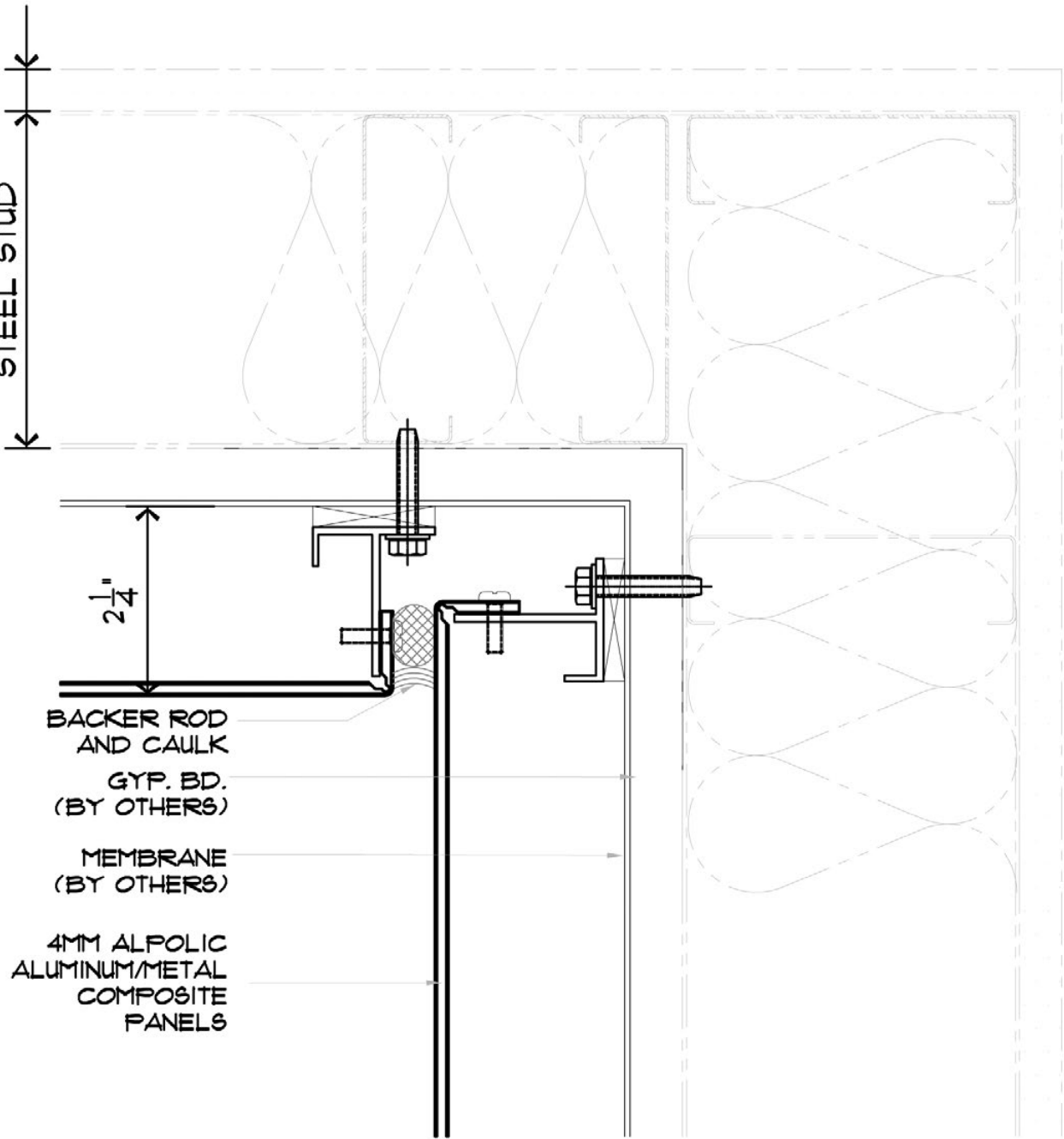
SCALE: 6" = 1'-0"

ALPOLIC®

WET SEAL SYSTEM
10.01.05
www.alpolic-americas.com

The design, fabrication and installation of the ALPOLIC® panels are the sole responsibility of the purchaser. The information contained on this website is for conceptual use only. Mitsubishi Chemical America, Inc. shall have no responsibility or liability for the products usage or infringement of any patent or other proprietary right.

STEEL STUD
INTERIOR FINISH



BACKER ROD
AND CAULK

GYP. BD.
(BY OTHERS)

MEMBRANE
(BY OTHERS)

4MM ALPOLIC
ALUMINUM/METAL
COMPOSITE
PANELS



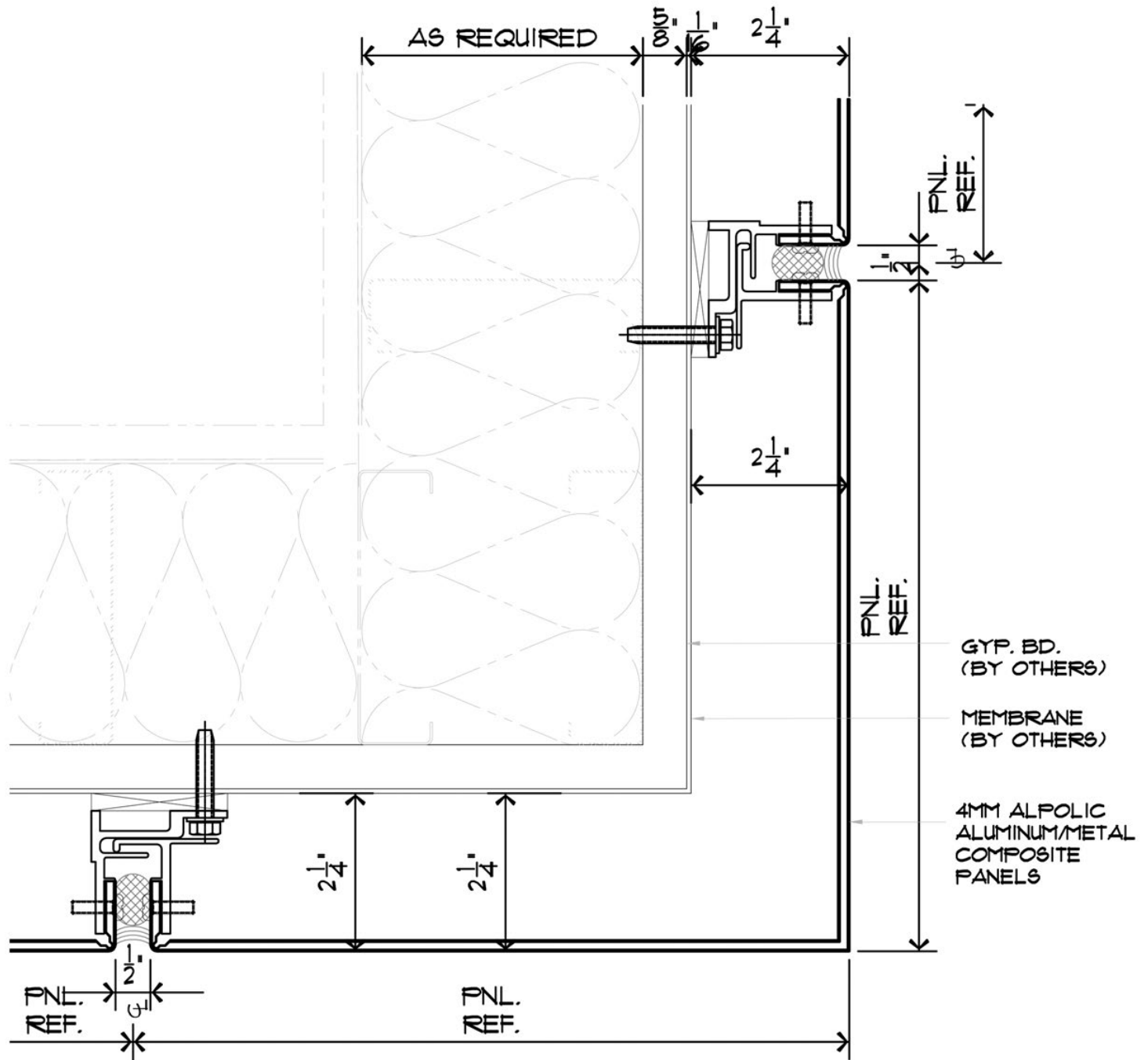
INSIDE CORNER

SCALE: 6" = 1'-0"

ALPOLIC®

WET SEAL SYSTEM
10.01.05
www.alpolic-americas.com

The design, fabrication and installation of the ALPOLIC® panels are the sole responsibility of the purchaser. The information contained on this website is for conceptual use only. Mitsubishi Chemical America, Inc. shall have no responsibility or liability for the products usage or infringement of any patent or other proprietary right.

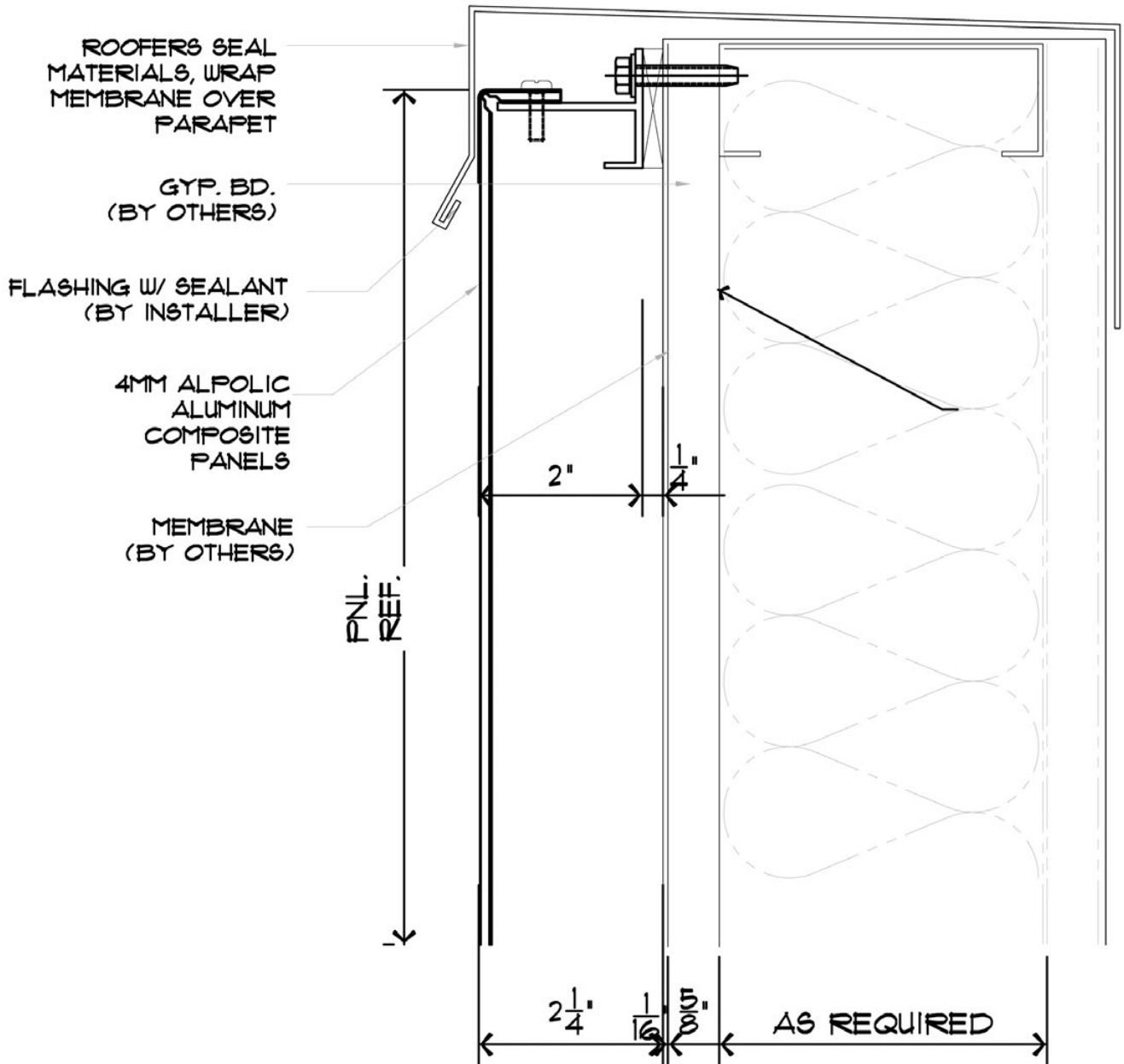


11 OUTSIDE CORNER
 WS SCALE: 6" = 1'-0"

ALPOLIC®

WET SEAL SYSTEM
 10.01.05
www.alpolic-americas.com

The design, fabrication and installation of the ALPOLIC® panels are the sole responsibility of the purchaser. The information contained on this website is for conceptual use only. Mitsubishi Chemical America, Inc. shall have no responsibility or liability for the products usage or infringement of any patent or other proprietary right.

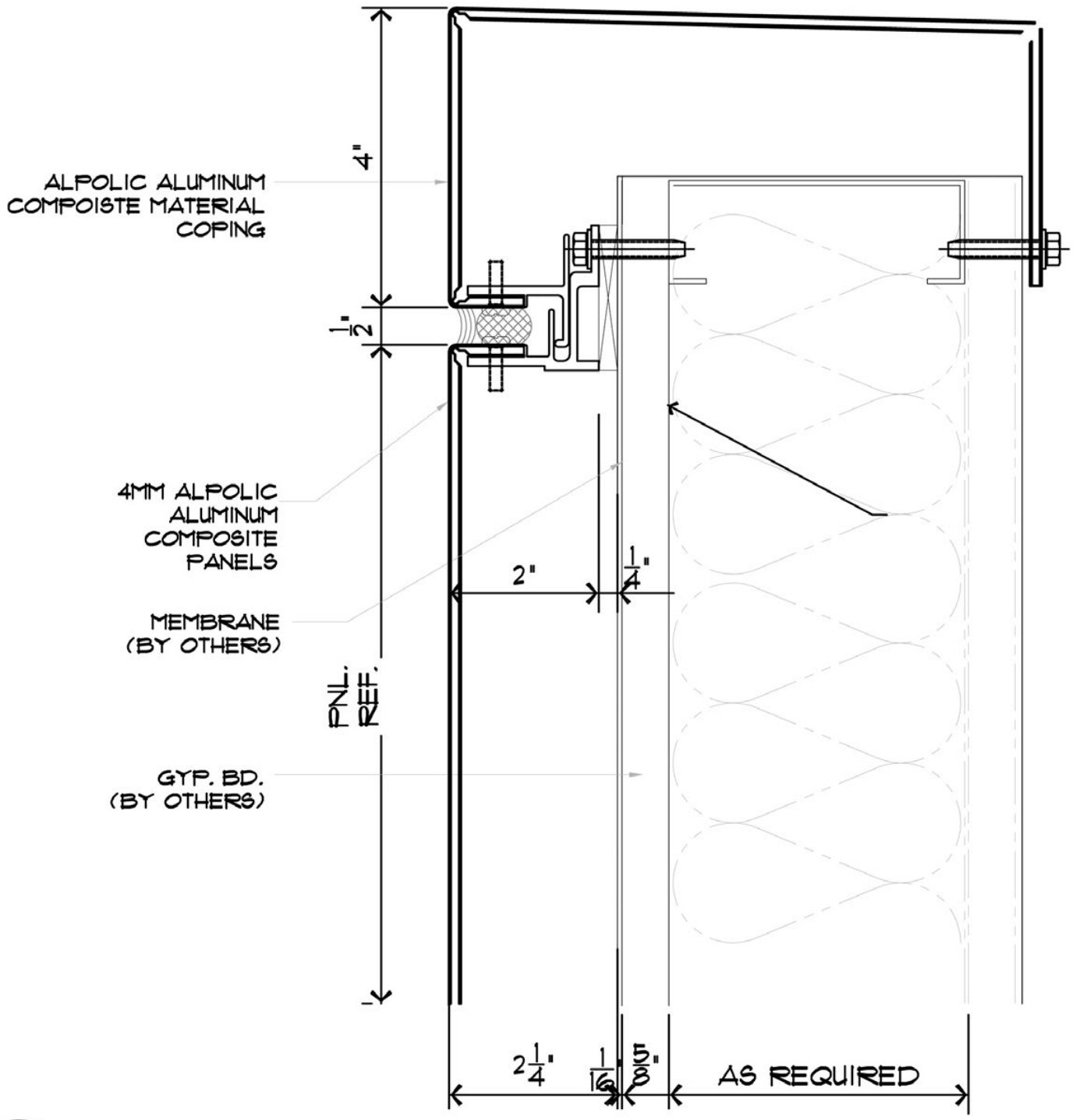


12 PARAPET DETAIL
 WS SCALE: 6" = 1'-0"

ALPOLIC®

WET SEAL SYSTEM
 10.01.05
www.alpolic-americas.com

The design, fabrication and installation of the ALPOLIC® panels are the sole responsibility of the purchaser. The information contained on this website is for conceptual use only. Mitsubishi Chemical America, Inc. shall have no responsibility or liability for the products usage or infringement of any patent or other proprietary right.

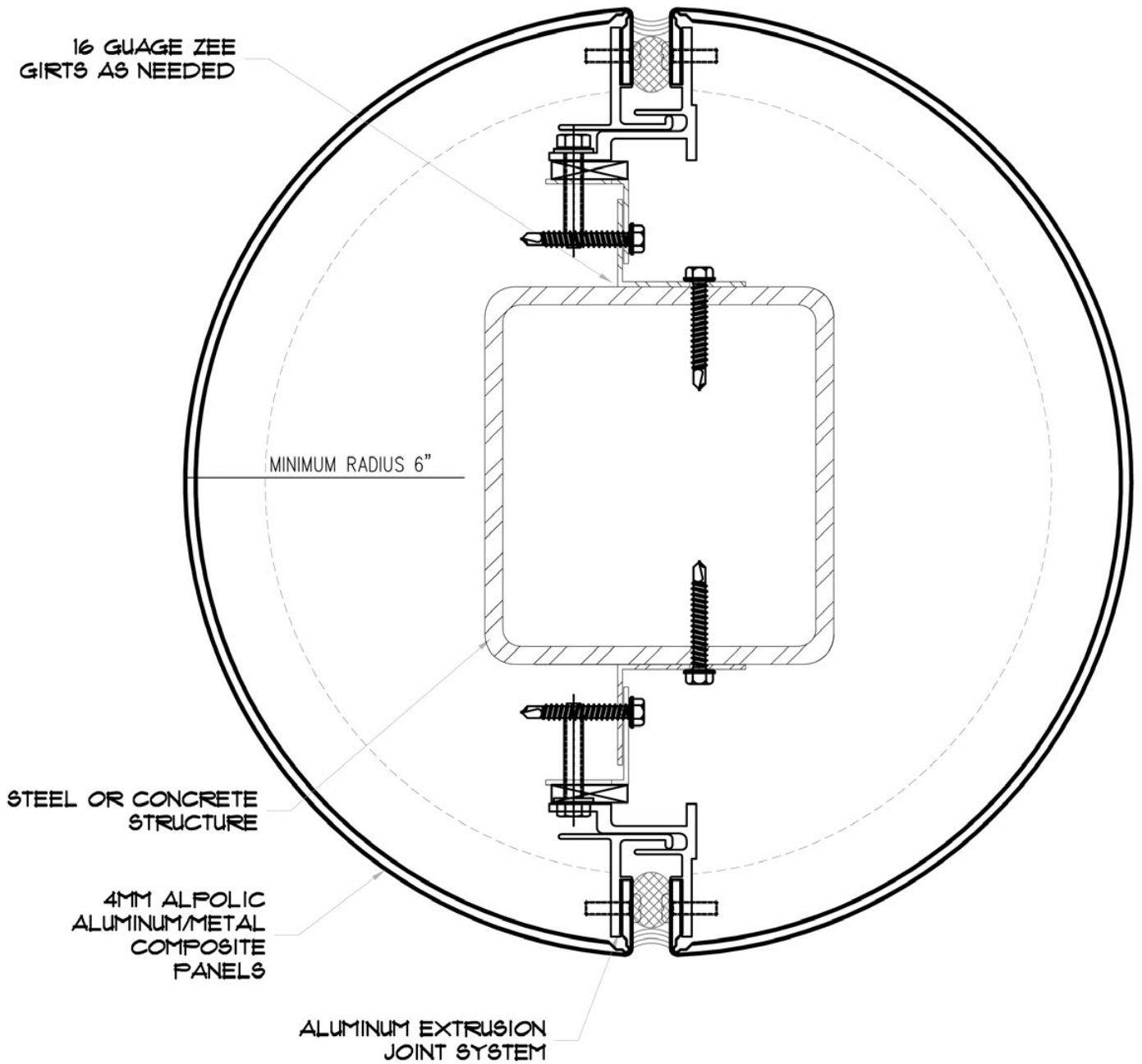


12A PARAPET DETAIL, OPTION 2
 WS SCALE: 6" = 1'-0"

ALPOLIC®

WET SEAL SYSTEM
 10.01.05
www.alpolic-americas.com

The design, fabrication and installation of the ALPOLIC® panels are the sole responsibility of the purchaser. The information contained on this website is for conceptual use only. Mitsubishi Chemical America, Inc. shall have no responsibility or liability for the products usage or infringement of any patent or other proprietary right.



13
RS

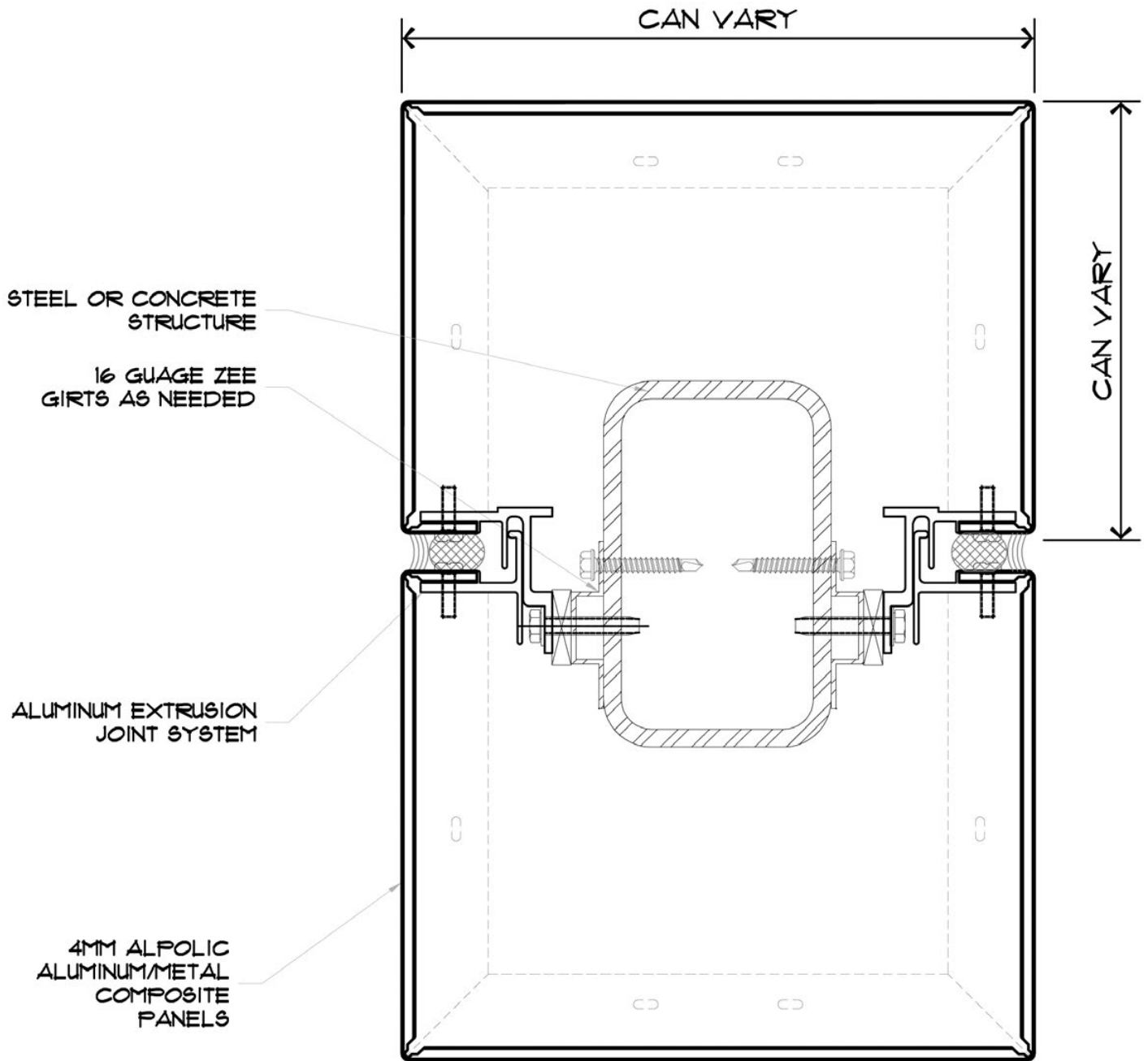
CIRCULAR COLUMN

SCALE: 6" = 1'-0"

ALPOLIC®

WET SEAL SYSTEM
10.01.05
www.alpolic-americas.com

The design, fabrication and installation of the ALPOLIC® panels are the sole responsibility of the purchaser. The information contained on this website is for conceptual use only. Mitsubishi Chemical America, Inc. shall have no responsibility or liability for the products usage or infringement of any patent or other proprietary right.

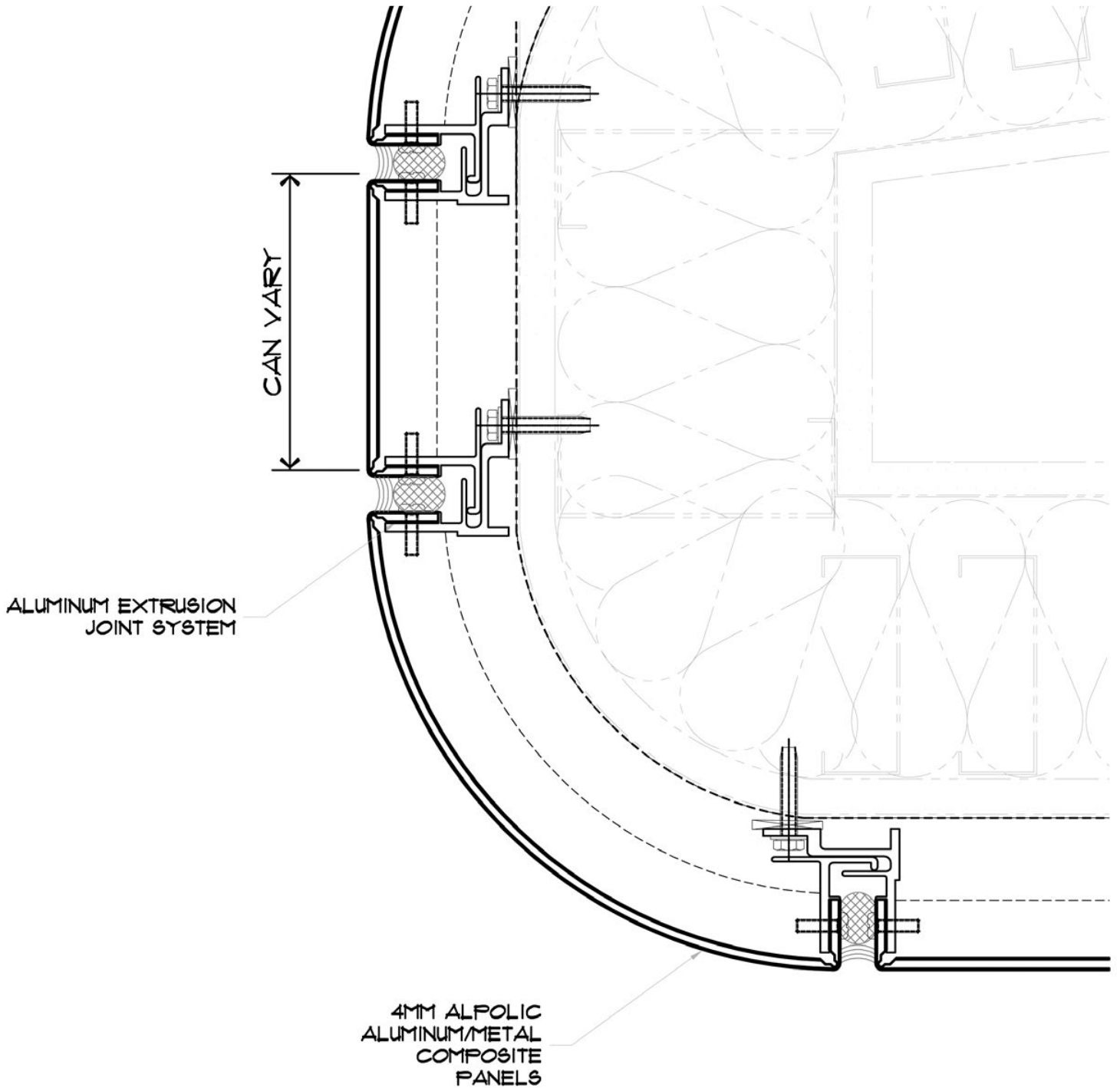


14 SQUARE COLUMN
 RS SCALE: 6" = 1'-0"

ALPOLIC®

WET SEAL SYSTEM
 10.01.05
www.alpolic-america.com

The design, fabrication and installation of the ALPOLIC® panels are the sole responsibility of the purchaser. The information contained on this website is for conceptual use only. Mitsubishi Chemical America, Inc. shall have no responsibility or liability for the products usage or infringement of any patent or other proprietary right.



15
RS

CANOPY/SUNSHADE

SCALE: 6" = 1'-0"

ALPOLIC®

WET SEAL SYSTEM
10.01.05
www.alpolic-americas.com

The design, fabrication and installation of the ALPOLIC® panels are the sole responsibility of the purchaser. The information contained on this website is for conceptual use only. Mitsubishi Chemical America, Inc. shall have no responsibility or liability for the products usage or infringement of any patent or other proprietary right.