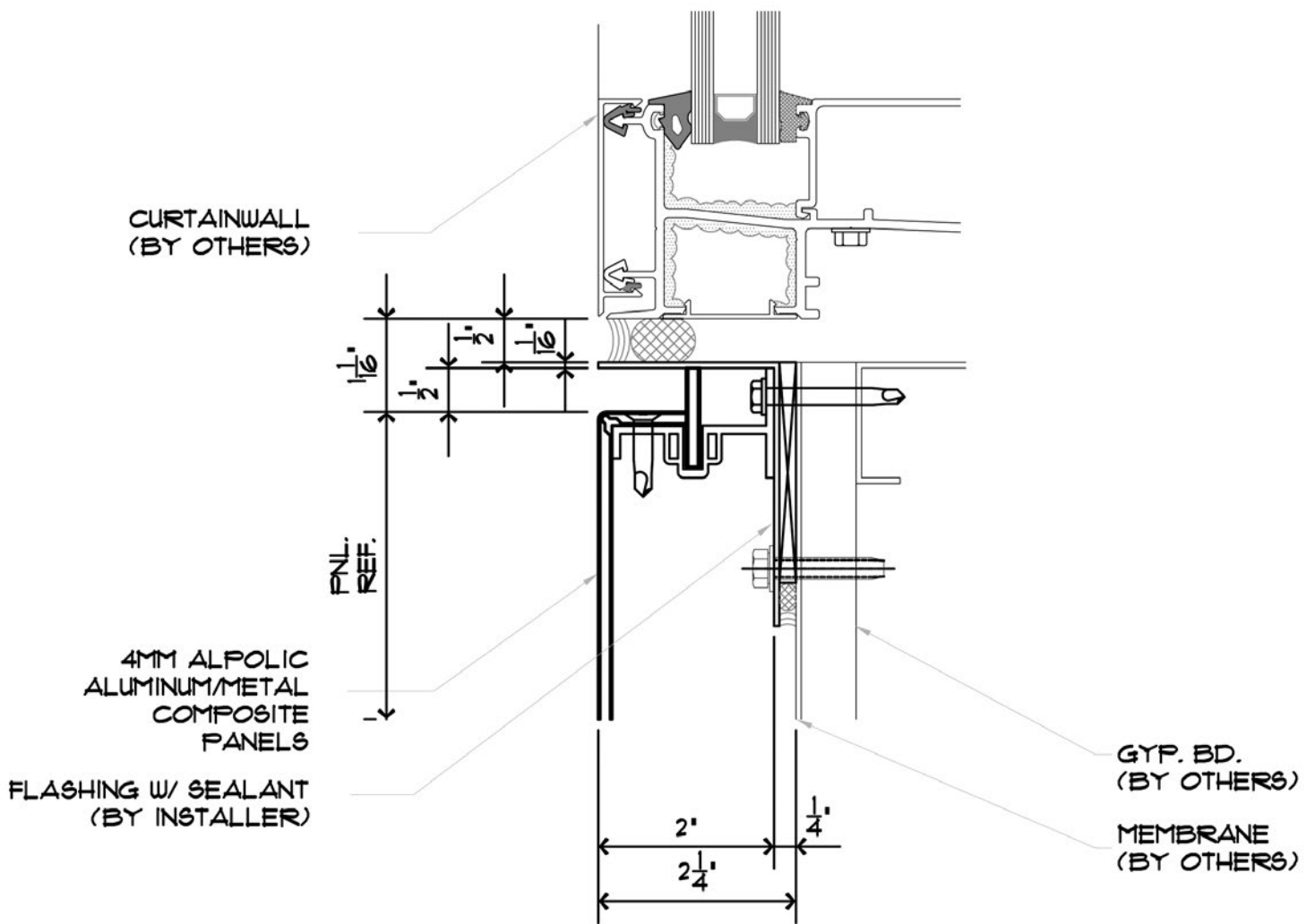


ALPOLIC®

RAIN SCREEN SYSTEM
10.01.05
www.alpolic-americas.com

The design, fabrication and installation of the ALPOLIC® panels are the sole responsibility of the purchaser. The information contained on this website is for conceptual use only. Mitsubishi Chemical America, Inc. shall have no responsibility or liability for the products usage or infringement of any patent or other proprietary right.

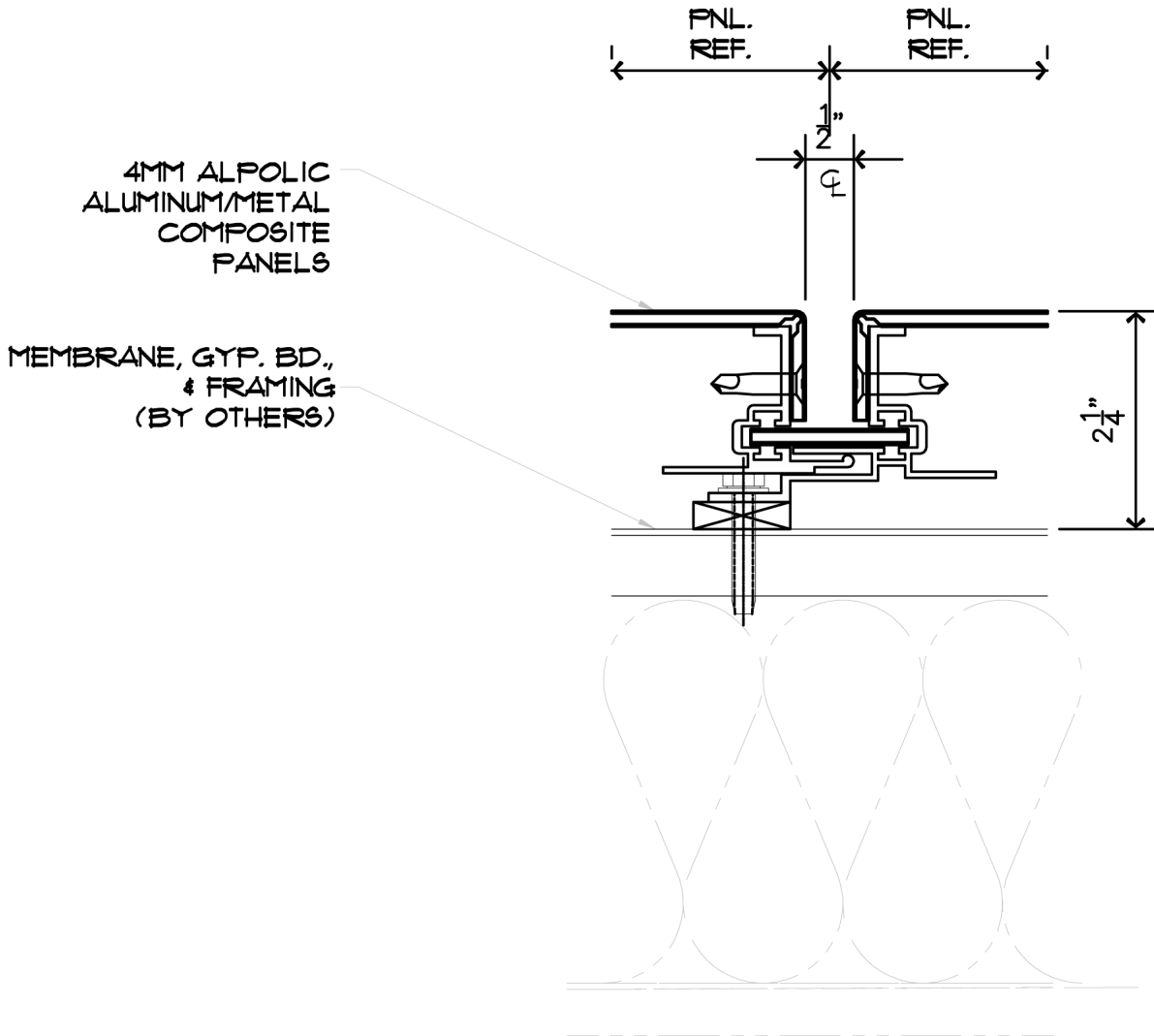


1 SILL DETAIL
 RS SCALE: 6" = 1'-0"

ALPOLIC®

RAIN SCREEN SYSTEM
 10.01.05
www.alpolic-americas.com

The design, fabrication and installation of the ALPOLIC® panels are the sole responsibility of the purchaser. The information contained on this website is for conceptual use only. Mitsubishi Chemical America, Inc. shall have no responsibility or liability for the products usage or infringement of any patent or other proprietary right.



2
RS

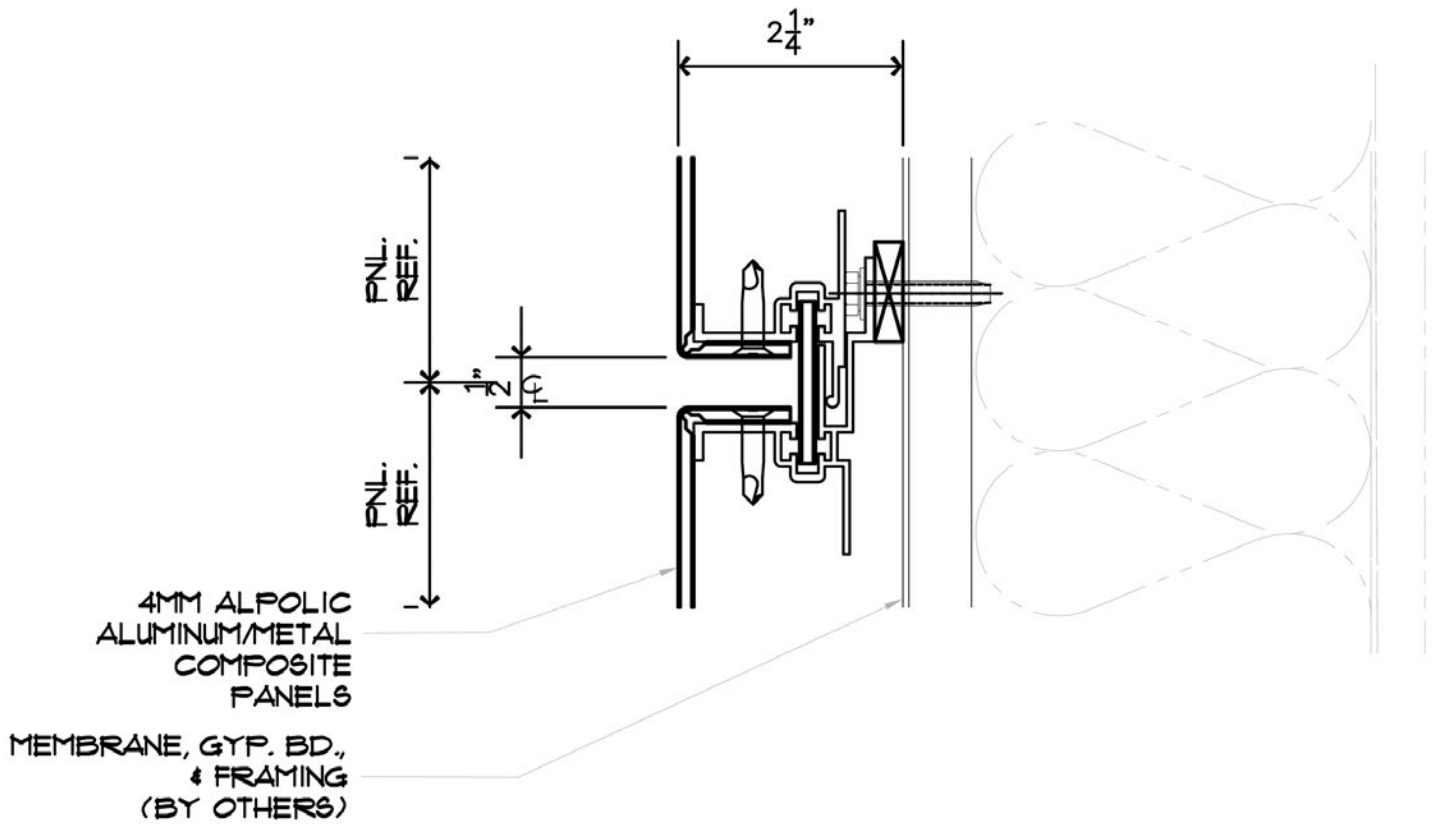
VERTICAL JOINT

SCALE: 6" = 1'-0"

ALPOLIC®

RAIN SCREEN SYSTEM
10.01.05
www.alpolic-americas.com

The design, fabrication and installation of the ALPOLIC® panels are the sole responsibility of the purchaser. The information contained on this website is for conceptual use only. Mitsubishi Chemical America, Inc. shall have no responsibility or liability for the products usage or infringement of any patent or other proprietary right.

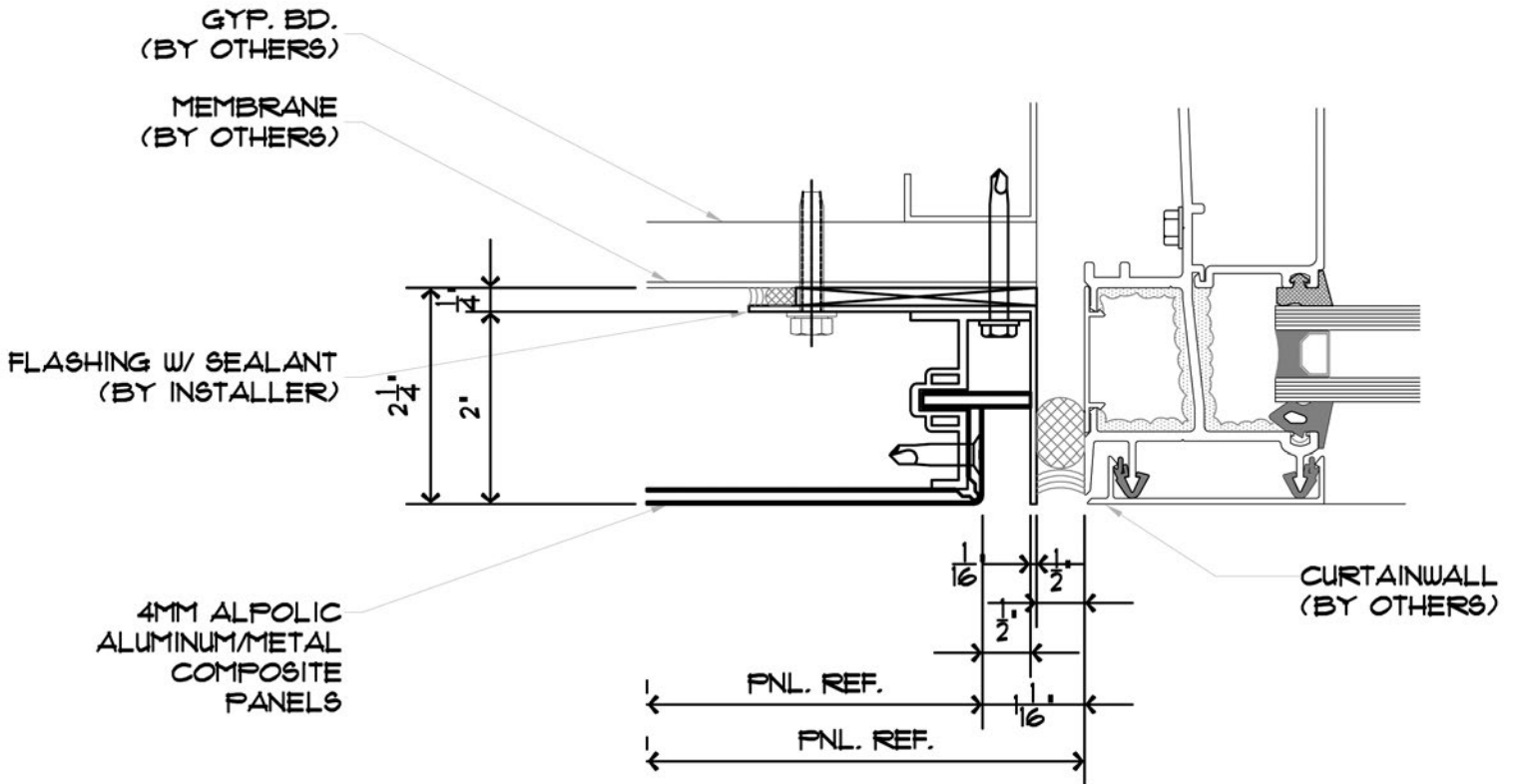


3 HORIZONTAL JOINT
 RS SCALE: 6" = 1'-0"

ALPOLIC®

RAIN SCREEN SYSTEM
 10.01.05
www.alpolic-america.com

The design, fabrication and installation of the ALPOLIC® panels are the sole responsibility of the purchaser. The information contained on this website is for conceptual use only. Mitsubishi Chemical America, Inc. shall have no responsibility or liability for the products usage or infringement of any patent or other proprietary right.

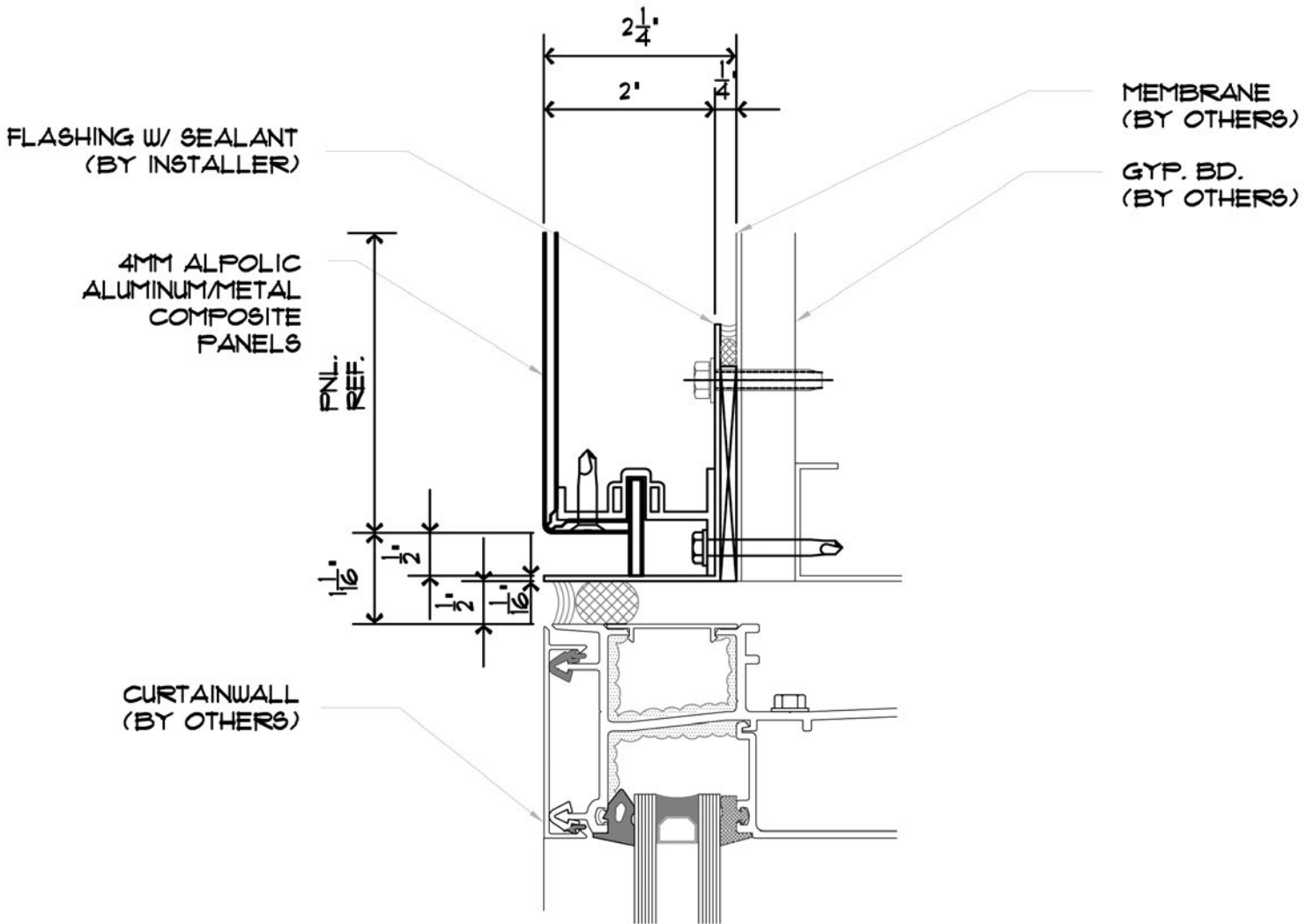


4 JAMB DETAIL
 RS SCALE: 6" = 1'-0"

ALPOLIC®

RAIN SCREEN SYSTEM
 10.01.05
www.alpolic-americas.com

The design, fabrication and installation of the ALPOLIC® panels are the sole responsibility of the purchaser. The information contained on this website is for conceptual use only. Mitsubishi Chemical America, Inc. shall have no responsibility or liability for the products usage or infringement of any patent or other proprietary right.



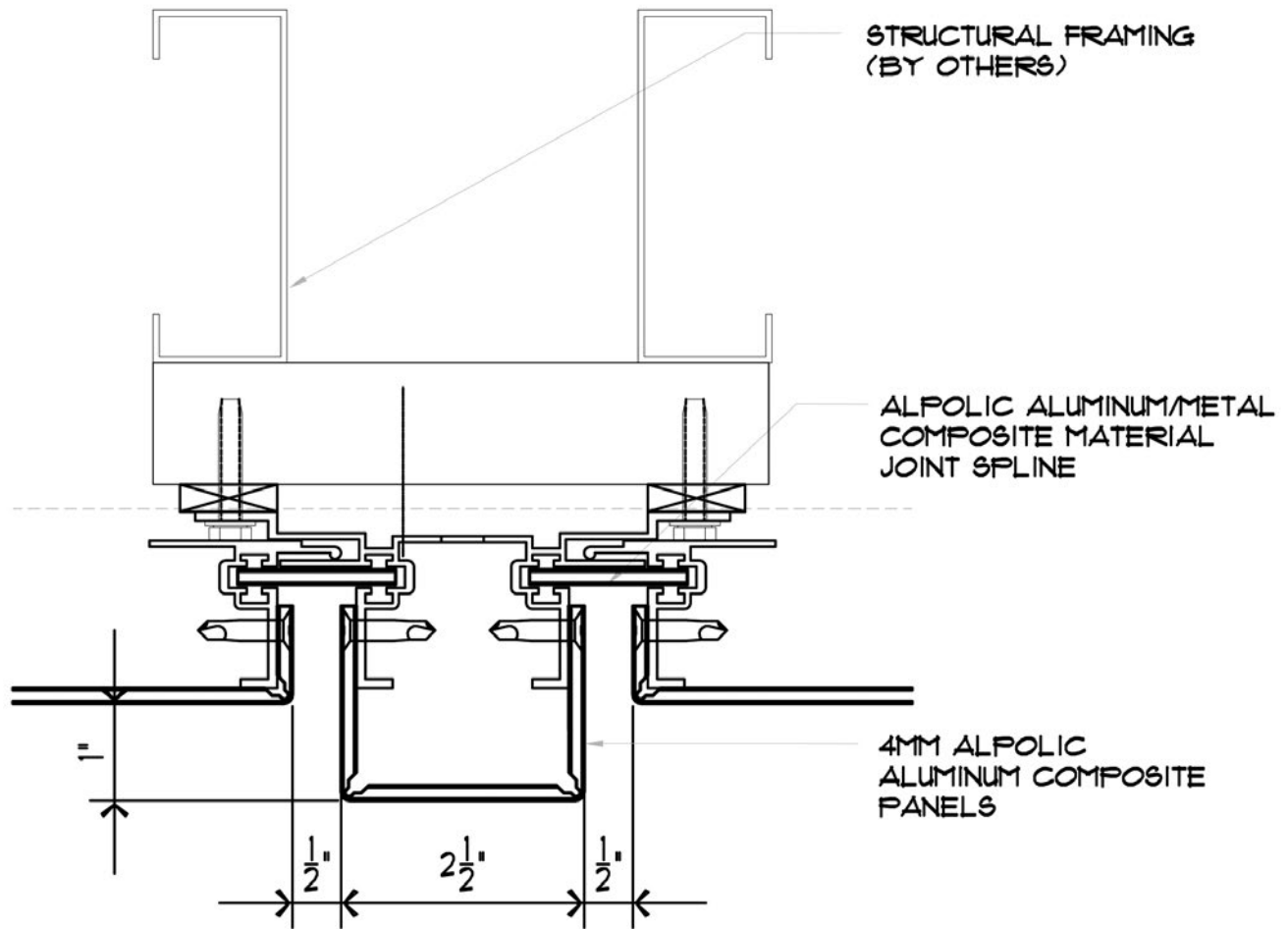
5 HEAD DETAIL

SCALE: 6" = 1'-0"

ALPOLIC®

RAIN SCREEN SYSTEM
10.01.05
www.alpolic-americas.com

The design, fabrication and installation of the ALPOLIC® panels are the sole responsibility of the purchaser. The information contained on this website is for conceptual use only. Mitsubishi Chemical America, Inc. shall have no responsibility or liability for the products usage or infringement of any patent or other proprietary right.



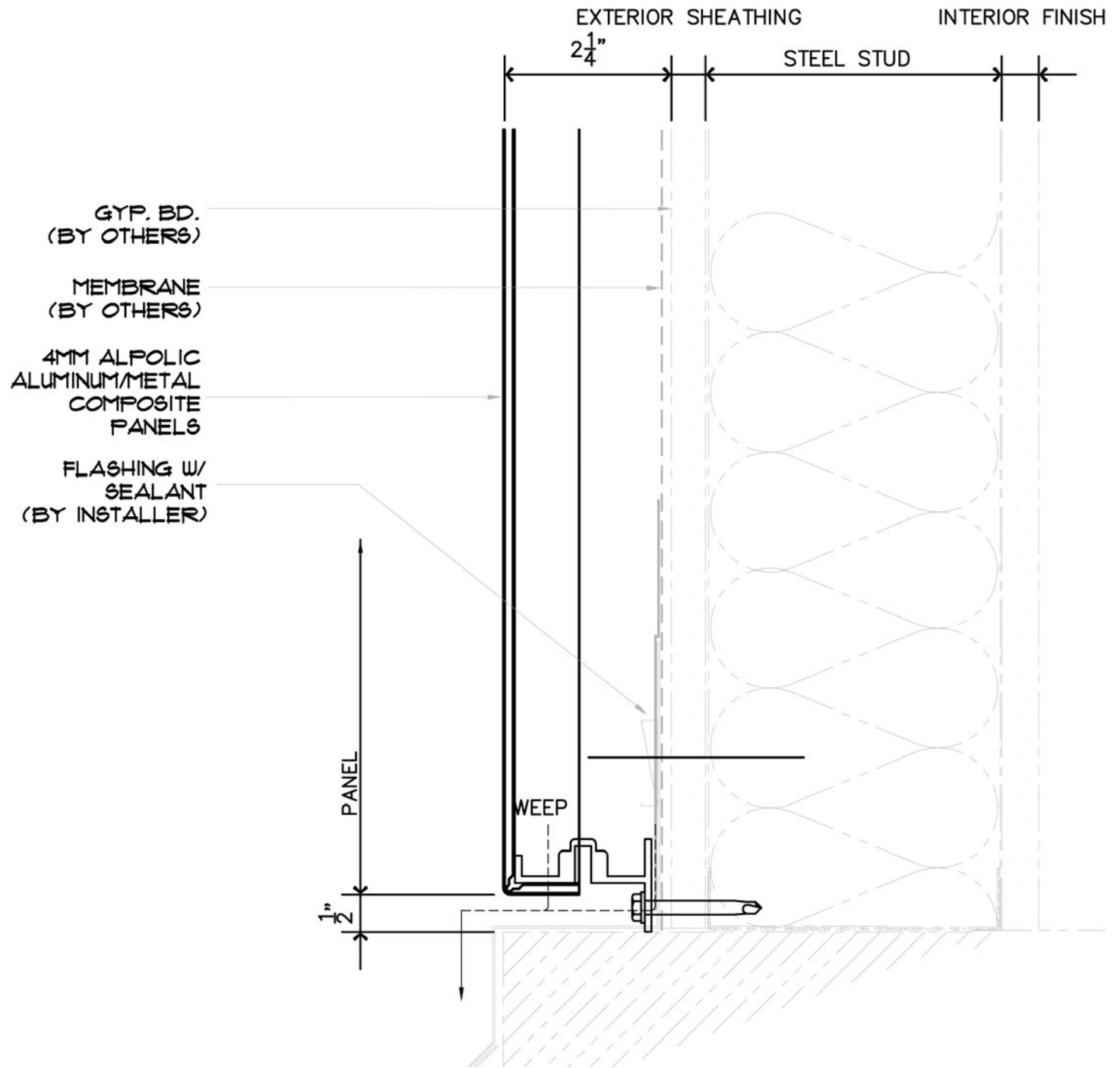
BATTEN DETAIL

SCALE: 6" = 1'-0"

ALPOLIC®

RAIN SCREEN SYSTEM
10.01.05
www.alpolic-america.com

The design, fabrication and installation of the ALPOLIC® panels are the sole responsibility of the purchaser. The information contained on this website is for conceptual use only. Mitsubishi Chemical America, Inc. shall have no responsibility or liability for the products usage or infringement of any patent or other proprietary right.



7 BASE CONDITION
 RS SCALE: 6" = 1'-0"

ALPOLIC®

RAIN SCREEN SYSTEM
 10.01.05
www.alpolic-americas.com

The design, fabrication and installation of the ALPOLIC® panels are the sole responsibility of the purchaser. The information contained on this website is for conceptual use only. Mitsubishi Chemical America, Inc. shall have no responsibility or liability for the products usage or infringement of any patent or other proprietary right.

EXTERIOR SHEATHING

STEEL STUD

2 1/4"

PANEL REFERENCE

MEMBRANE, GYP. E
& FRAMING
(BY OTHERS)

4MM ALPOLIC
ALUMINUM/METAL
COMPOSITE
PANELS

2 1/4"

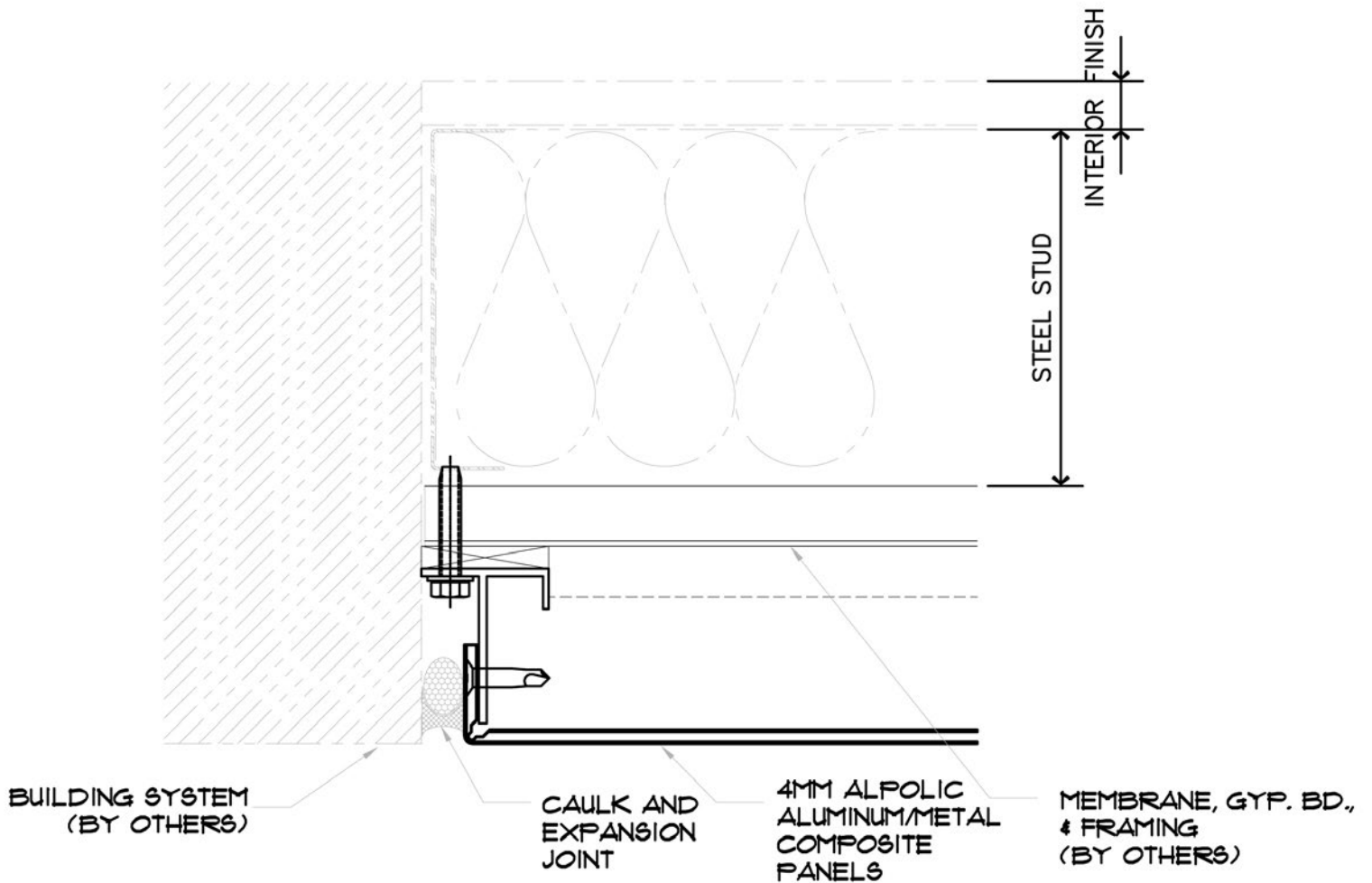
4"

GWB OR OTHER
SOFFIT MATERIAL
(BY OTHERS)

8
RS

SOFFIT DETAIL

SCALE: 6" = 1'-0"



9
RS

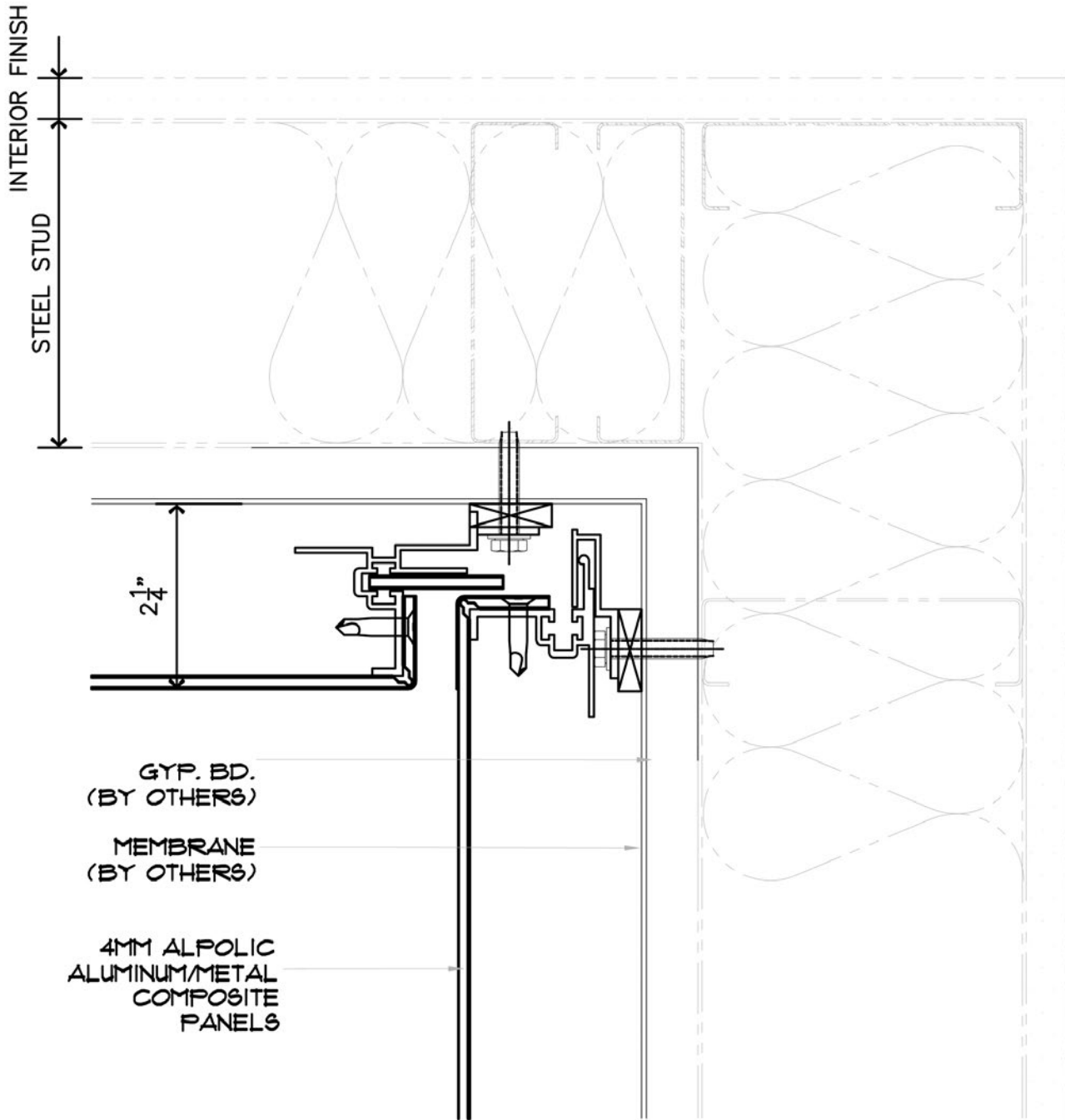
ABUTMENT DETAIL

SCALE: 6" = 1'-0"

ALPOLIC®

RAIN SCREEN SYSTEM
10.01.05
www.alpolic-americas.com

The design, fabrication and installation of the ALPOLIC® panels are the sole responsibility of the purchaser. The information contained on this website is for conceptual use only. Mitsubishi Chemical America, Inc. shall have no responsibility or liability for the products usage or infringement of any patent or other proprietary right.



10
RS

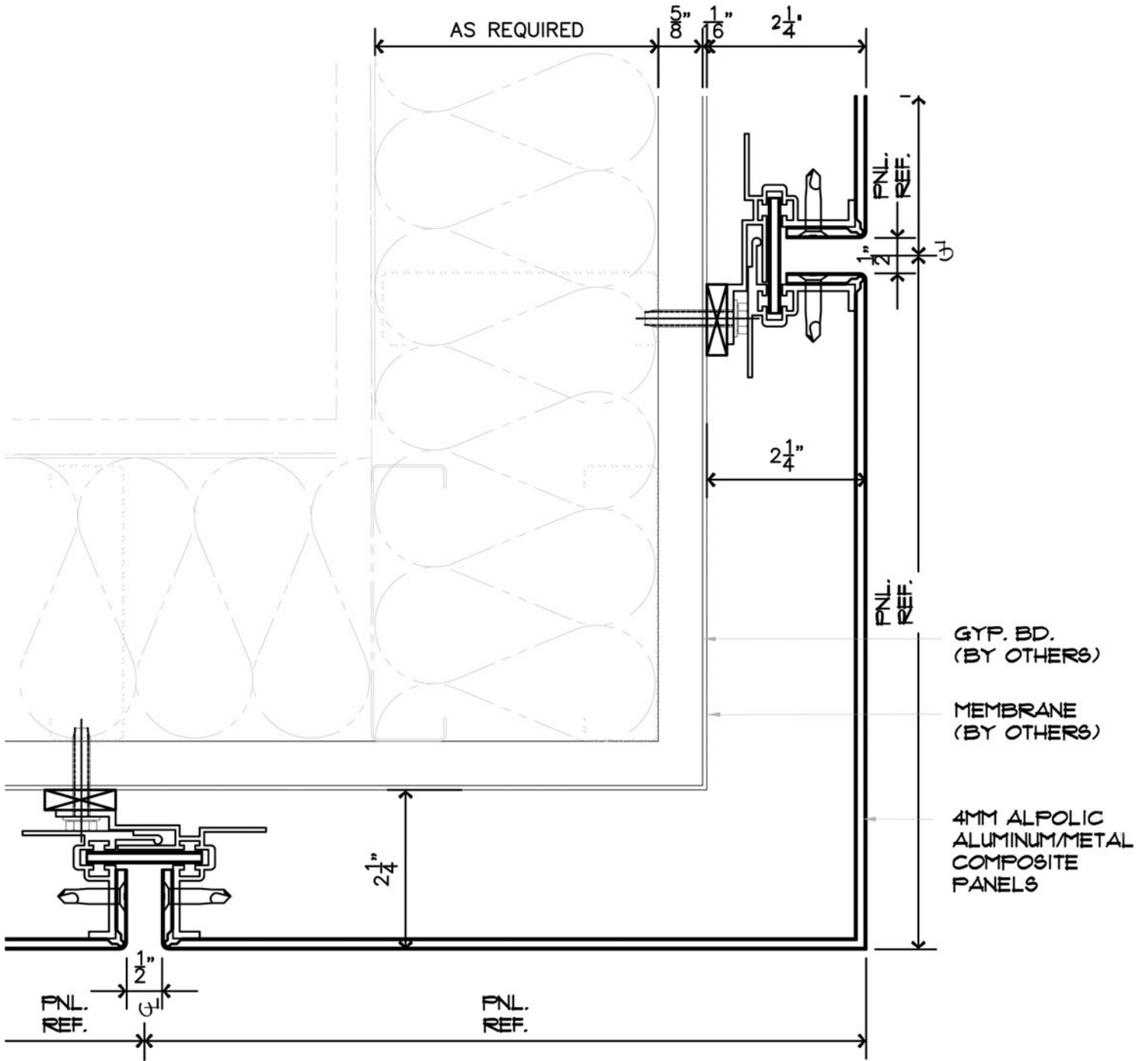
INSIDE CORNER

SCALE: 6" = 1'-0"

ALPOLIC®

RAIN SCREEN SYSTEM
10.01.05
www.alpolic-americas.com

The design, fabrication and installation of the ALPOLIC® panels are the sole responsibility of the purchaser. The information contained on this website is for conceptual use only. Mitsubishi Chemical America, Inc. shall have no responsibility or liability for the products usage or infringement of any patent or other proprietary right.

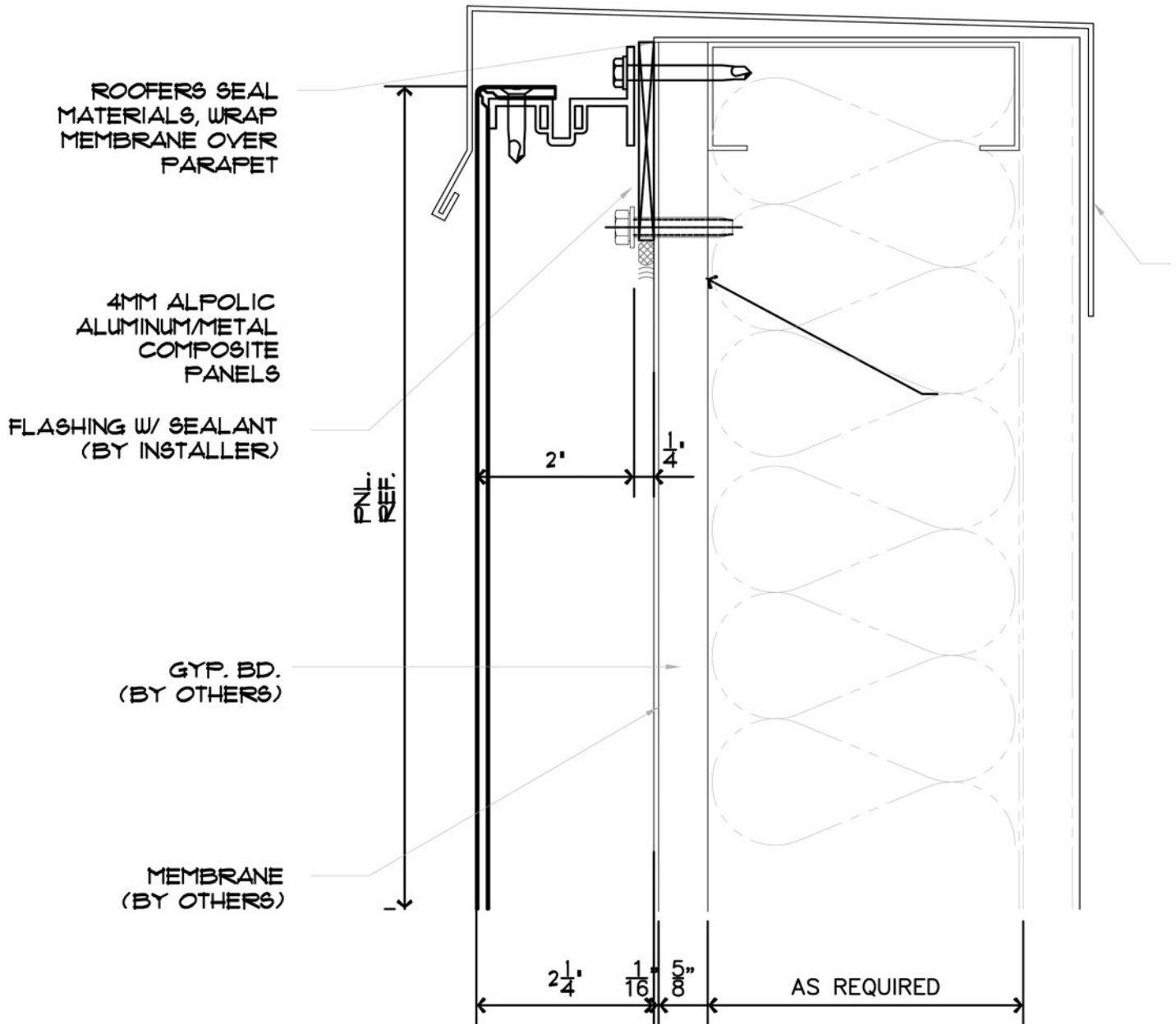


11 OUTSIDE CORNER
 RS SCALE: 6" = 1'-0"

ALPOLIC®

RAIN SCREEN SYSTEM
 10.01.05
www.alpolic-americas.com

The design, fabrication and installation of the ALPOLIC® panels are the sole responsibility of the purchaser. The information contained on this website is for conceptual use only. Mitsubishi Chemical America, Inc. shall have no responsibility or liability for the products usage or infringement of any patent or other proprietary right.

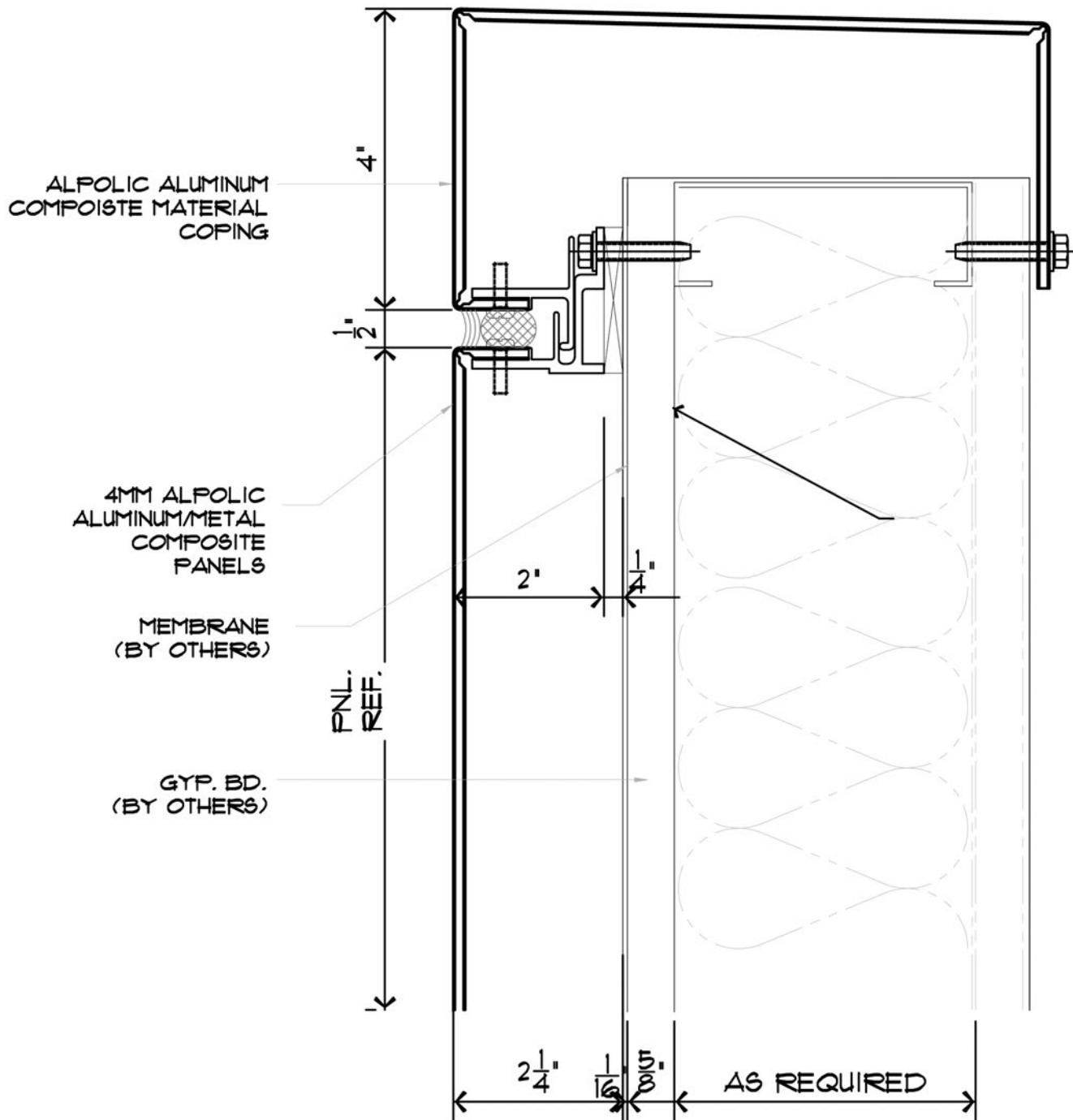


12 PARAPET DETAIL
 RS SCALE: 6" = 1'-0"

ALPOLIC®

RAIN SCREEN SYSTEM
 10.01.05
www.alpolic-americas.com

The design, fabrication and installation of the ALPOLIC® panels are the sole responsibility of the purchaser. The information contained on this website is for conceptual use only. Mitsubishi Chemical America, Inc. shall have no responsibility or liability for the products usage or infringement of any patent or other proprietary right.

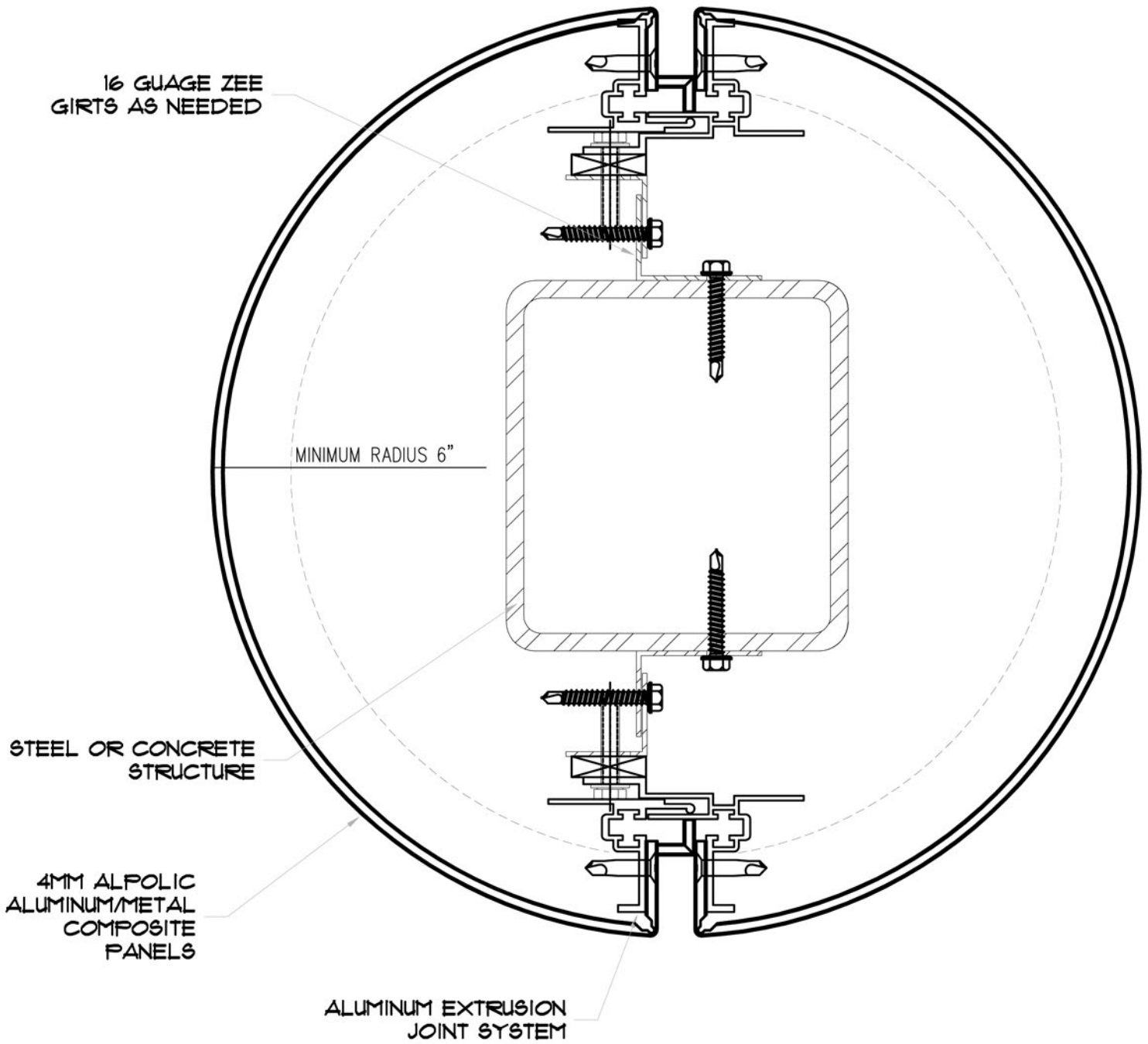


12A PARAPET DETAIL, OPTION 2
 RS SCALE: 6" = 1'-0"

ALPOLIC®

RAIN SCREEN SYSTEM
 10.01.05
www.alpolic-americas.com

The design, fabrication and installation of the ALPOLIC® panels are the sole responsibility of the purchaser. The information contained on this website is for conceptual use only. Mitsubishi Chemical America, Inc. shall have no responsibility or liability for the products usage or infringement of any patent or other proprietary right.



13
RS

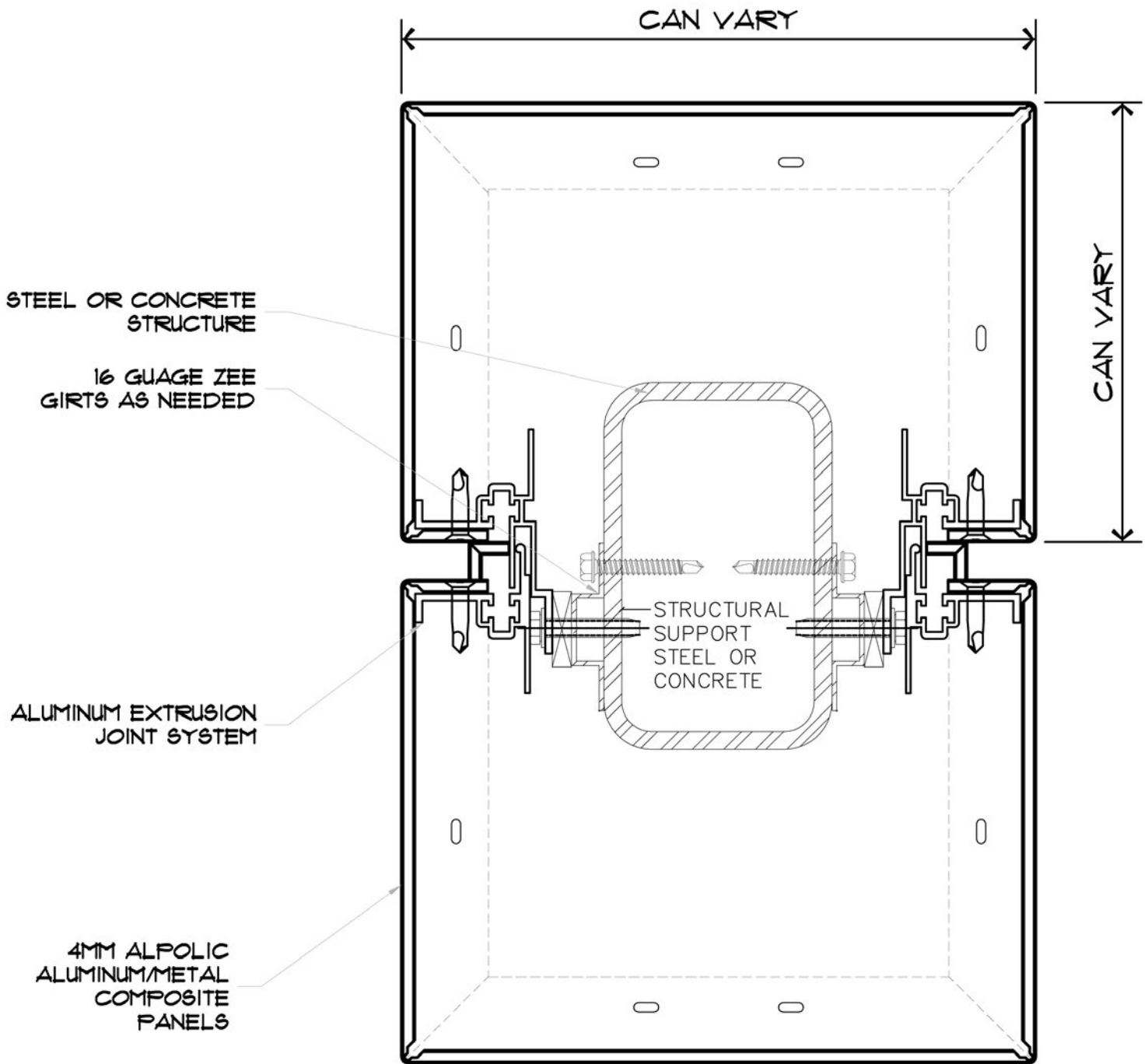
CIRCULAR COLUMN

SCALE: 6" = 1'-0"

ALPOLIC®

RAIN SCREEN SYSTEM
10.01.05
www.alpolic-americas.com

The design, fabrication and installation of the ALPOLIC® panels are the sole responsibility of the purchaser. The information contained on this website is for conceptual use only. Mitsubishi Chemical America, Inc. shall have no responsibility or liability for the products usage or infringement of any patent or other proprietary right.

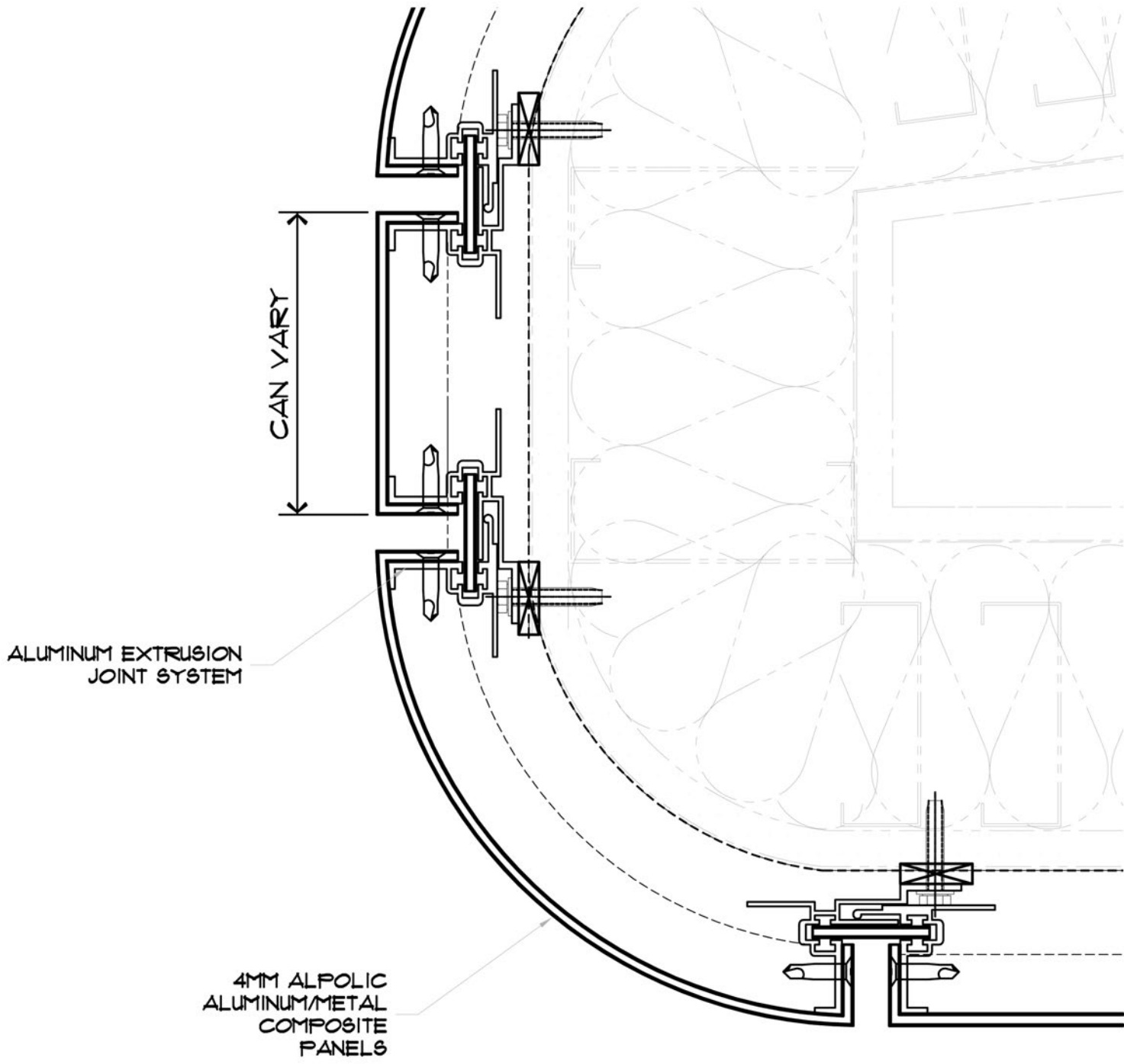


14 RS SQUARE COLUMN
 SCALE: 6" = 1'-0"

ALPOLIC®

RAIN SCREEN SYSTEM
 10.01.05
www.alpolic-americas.com

The design, fabrication and installation of the ALPOLIC® panels are the sole responsibility of the purchaser. The information contained on this website is for conceptual use only. Mitsubishi Chemical America, Inc. shall have no responsibility or liability for the products usage or infringement of any patent or other proprietary right.



15
RS

CANOPY/SUNSHADE

SCALE: 6" = 1'-0"

ALPOLIC®

RAIN SCREEN SYSTEM
10.01.05
www.alpolic-americas.com

The design, fabrication and installation of the ALPOLIC® panels are the sole responsibility of the purchaser. The information contained on this website is for conceptual use only. Mitsubishi Chemical America, Inc. shall have no responsibility or liability for the products usage or infringement of any patent or other proprietary right.